

LAMP® XL-GC07D-CR Glass Hinge – Installation Manual

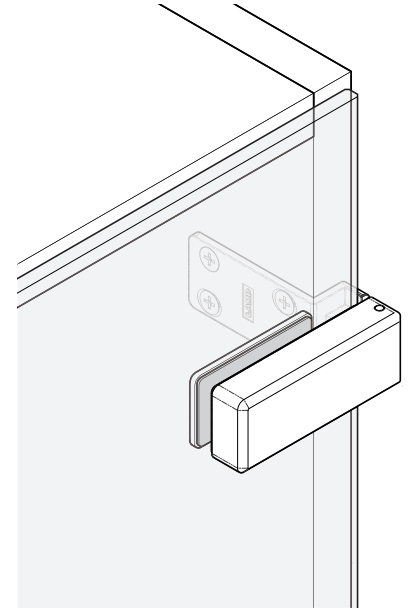
Thank you for using our product. Before installation, please read this manual thoroughly to ensure correct installation. Please keep this manual at hand for future reference.

ABOUT THE PRODUCT

- Non-handed hinge for overlay glass cabinet.
- With natural soft-catch function.
- Hinges and locks (XL-GC01) with same design concept.

SPECIFICATIONS

Max. Door size	W500 × H1000
Max. Door weight	7.5 kgf (73.5N)
Glass thickness	5, 6 mm



FOR YOUR SAFETY AND CORRECT INSTALLATION

Meaning of symbols

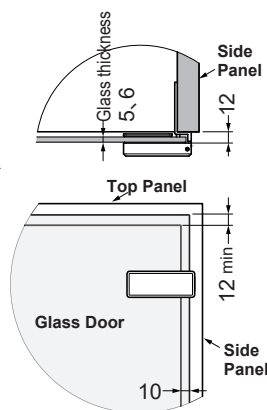
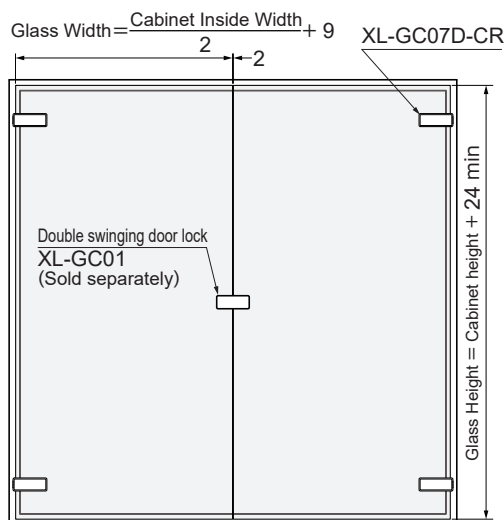


Caution If not followed, injury or damage may result.

- ❗ Follow the specified dimensions, specifications, and alignment of the cabinet. Warping, tilting or twisting of the cabinet or door may cause failure.
- ❗ This product is a part for furniture. After installation, please check the function and safety of the final product. Please inform the end user how to use the product safely.
- ❗ Provide a cabinet that can withstand the weight and impact of opening and closing the door. Be sure to use the specified screws and tighten them securely. If the mounting strength is insufficient, the door may fall and cause injury.
- ❗ Make sure to check the screws for slack at regular intervals (one month from first usage, half a year, and then one time every year is recommended).

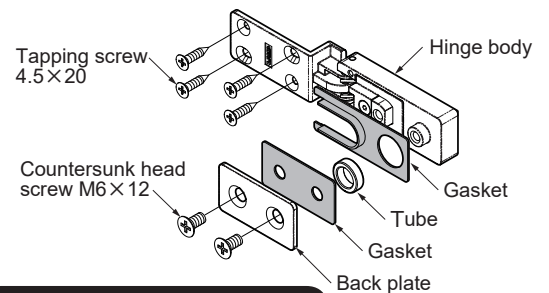
INSTALLATION DRAWING

The figure below is an example of mounting using 4 of this product.



Overlay for top/bottom panel should be 12 mm or more.
Overlay for side panel should be 10 mm or more.

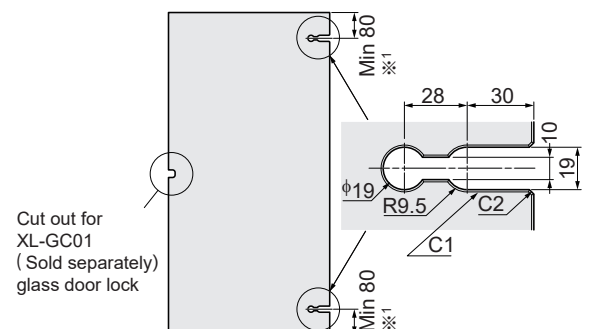
COMPONENT PARTS



GLASS CUTTING

Right Opening Shown. A left opening door is the mirror opposite.

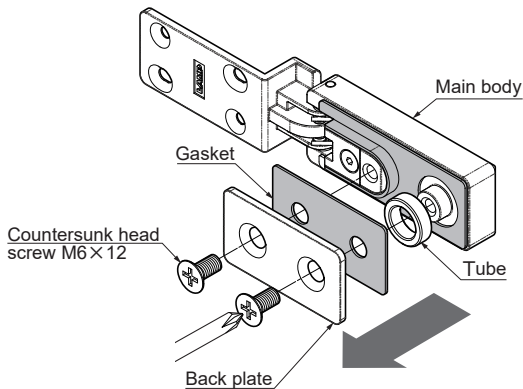
※ 1 Please consult a glass supplier.



INSTALLATION

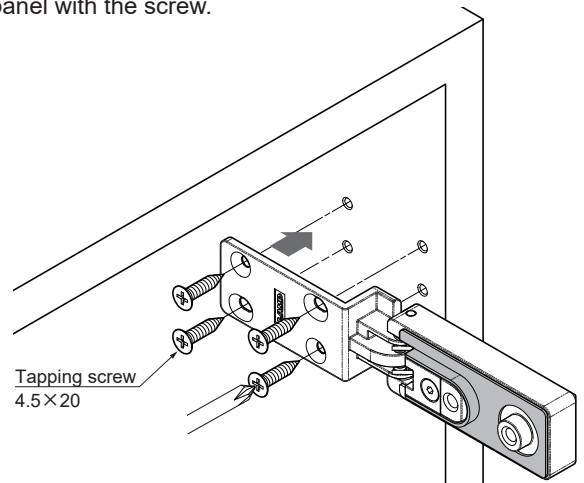
1 Preparation before installation

Disassemble the product into the body, back plate, gasket and tube.



2 Mounting of Main Body

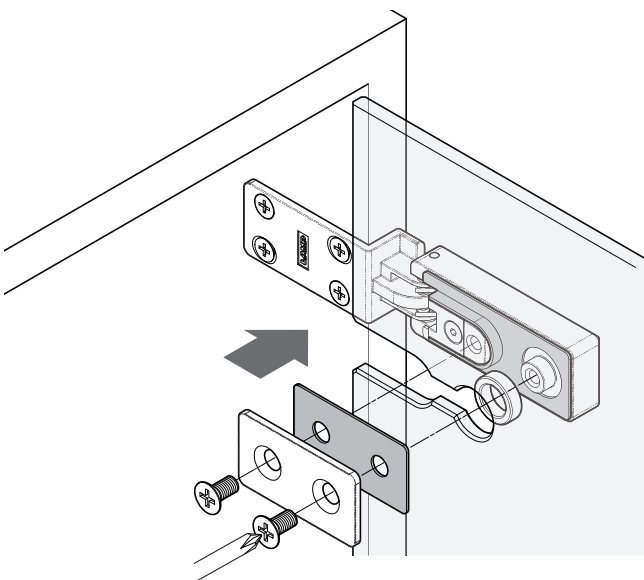
Mount the main body onto the side panel with the screw.



3 Hanging the Door

Hang the door as shown in figure below.

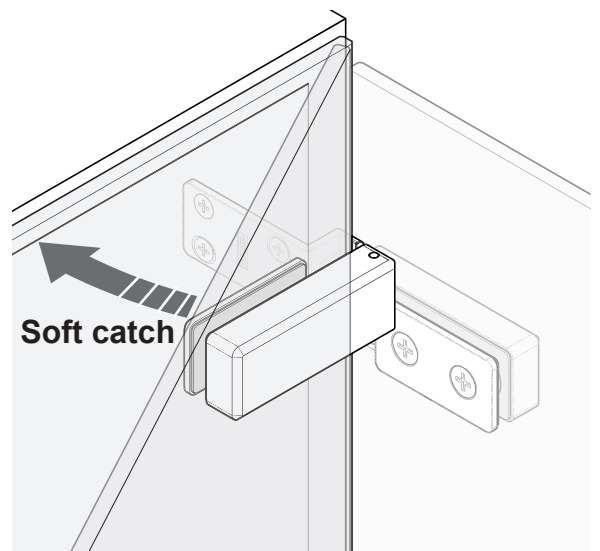
The tightening torque for countersunk head screws is 2 N·m



4 Operation check

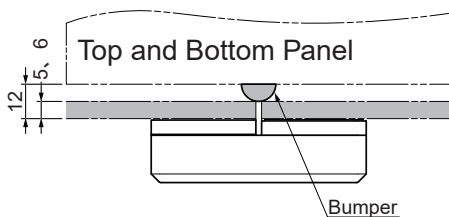
Make sure the door closes by itself completely.

※ Maximum opening angle may vary, so please check with the actual product.



5 Bumper installation (Only when using the double swinging door lock XL-GC01)

Paste the bumpers correspond to the glass thickness onto the part on top/bottom panel where the door contacts.



Glass thickness	Clear bumper (thickness)
5 mm	BS-6 (6.2 mm)
6 mm	BS-2 (5 mm)

SUGATSUNE KOGYO CO., LTD.
Tokyo, JAPAN
Phone: +81 3 3866 2260
E-mail: export@sugatsune.co.jp

SUGATSUNE KOGYO (UK) LIMITED
Reading, UK
Phone: +44 1189 272 955
E-mail: sales@sugatsune.co.uk

SUGATSUNE EUROPE GmbH
Düsseldorf, GERMANY
Phone: +49 211 53812 900
E-mail: sales@sugatsune.eu

SUGATSUNE AMERICA, INC.
California, USA
Phone: +1 310 329 6373
E-mail: sales@sugatsune.com

Chicago, USA
Phone: +1 630 317 7072
E-mail: sales@sugatsune.com

SUGATSUNE CANADA, INC.
Montreal, CANADA
Phone: +1 514 312 5267
E-mail: support@sugatsune.ca

SUGATSUNE SHANGHAI CO., LTD.
Shanghai, CHINA
Phone: +86 21 3632 1858
E-mail: lamp@sugatsune.com.cn

Guangzhou, CHINA
Phone: +86 20 6639 3554
E-mail: lamp@sugatsune.com.cn

SUGATSUNE KOREA CO., LTD.
Incheon, KOREA
Phone: +82 32 220 0603
E-mail: sales@sugatsune-korea.co.kr

SUGATSUNE KOGYO INDIA PRIVATE LIMITED
Mumbai, INDIA
Phone: +91 9867299597
E-mail: sales@sugatsune.in
Delhi, INDIA
Phone: +91 9867299597
+91 11 45093636
E-mail: sales@sugatsune.in