

# LAMP® GH-G07SH STAINLESS STEEL GRAVITY HINGE FOR GLASS DOOR INSTALLATION MANUAL

Thank you for selecting our product. Before starting installation, please read this manual thoroughly to ensure correct installation. Please keep this manual at hand for future reference.

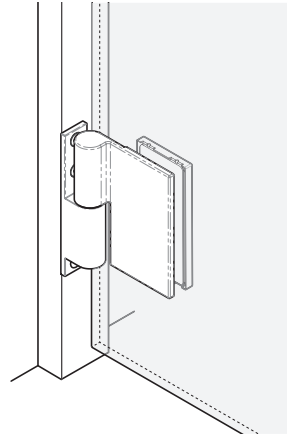
## ABOUT THE PRODUCT

- Usable in wet conditions such as shower rooms.
- The door will automatically close when it is within 70° degrees of the closed position.
- The door automatically opens when it is between 160° degrees and 70° degrees from the closed position.

## SPECIFICATIONS

	per 2 hinges	per 3 hinges
Max. Door height	2100 mm	2400 mm
Max. Door width	800 mm	850 mm
Glass thickness	8 – 12 mm	
Max. Door weight ※1	45 kg	50 kg

※1 Prioritize the load capacity when determining the glass size.



## FOR YOUR SAFE WORK AND CORRECT INSTALLATION

### Meaning of symbols



### ⚠ Caution: If not followed, injury or damage may result.

- ⚠ It is necessary to manufacture the frame with sufficient strength so that it endures the weight of the door and any impact upon opening/closing the door. Only use designated screws and ensure that they are fastened firmly. A frame with poor strength or loose screws might result in the door falling and causing injury.
- ⊘ Do not try to use this product for anything other than its original purpose. Do not use any part for applications outside of its specification.
- ⚠ Follow the specified dimensions, specifications, and alignment of the door and frame. Warping, tilting or twisting of the frame or door may cause failure.
- ⚠ This product is a part for architectural fittings. After installation, please check the function and safety of the final product. Please inform the end user how to use the product safely.
- ⚠ Use a tempered glass. Using shatter-proof film is recommended. For areas where the glass brackets grip, make sure to remove the shatter-proof film before installing.
- ⚠ Make sure to check the screws for slack at regular intervals (one month from first usage, half a year, and then one time every year is recommended).

## TOOL REQUIRED

- Philips screwdriver  
⊕ No.2



- Allen key  
⊕ 4



## SCREWS

- Provided screw  
Countersunk head screw M5 × 14 ... 3 pcs/hinge (for frame attachment)  
Hexagon socket countersunk head screw M6 × 14 ... 2 pcs/hinge (for glass attachment)

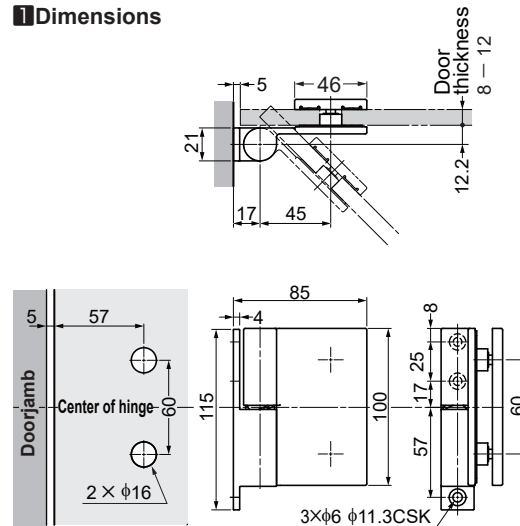
- Sold separately (If screws are lost.)  
Countersunk head screw M5 × 15  
Hexagon socket countersunk head screw M5 × 15



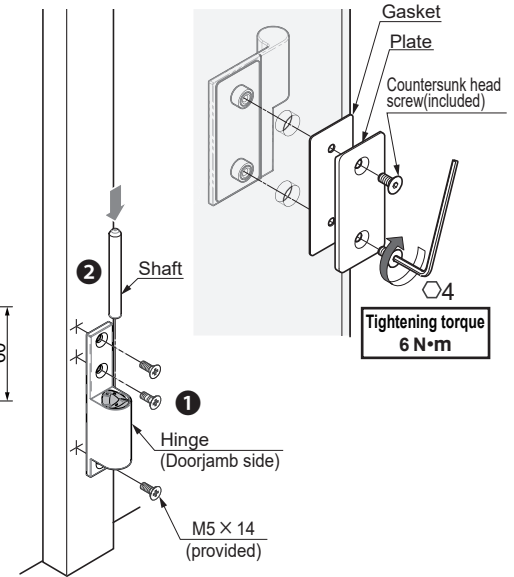
## INSTALLATION

Left-hand opening shown. The right-handed opening is symmetrical.

### 1 Dimensions

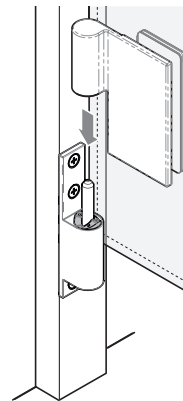


### 2 Mounting Hinge onto Doorjamb

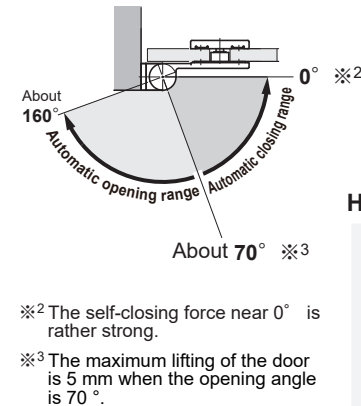


### 3 Mounting Hinge onto Glass

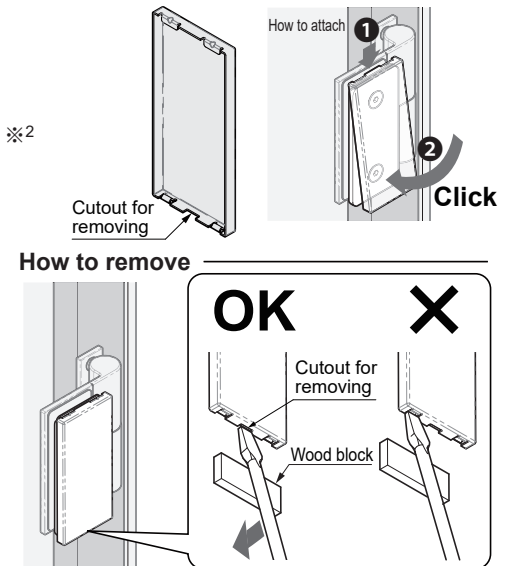
### 4 Hanging Door



### 5 Operation Check



### 6 Attaching/removing Cover



SUGATSUNE KOGYO CO., LTD.  
Tokyo, JAPAN  
Phone: +81 3 3866 2260  
E-mail: export@sugatsune.co.jp  
Chicago, USA  
Reading, UK  
Phone: +44 1189 272 955  
E-mail: sales@sugatsune.co.uk  
Düsseldorf, GERMANY  
Phone: +49 211 53812 900  
E-mail: sales@sugatsune.eu

SUGATSUNE AMERICA, INC.  
California, USA  
Phone: +1 310 329 6373  
E-mail: sales@sugatsune.com  
Chicago, USA  
Reading, UK  
Phone: +1 630 317 7072  
E-mail: sales@sugatsune.com  
Montreal, CANADA  
Phone: +1 514 312 5267  
E-mail: support@sugatsune.ca

SUGATSUNE SHANGHAI CO., LTD.  
Shanghai, CHINA  
Phone: +86 21 3632 1858  
E-mail: lamp@sugatsune.com.cn  
Guangzhou, CHINA  
Phone: +86 20 6639 3554  
E-mail: lamp@sugatsune.com.cn  
Incheon, KOREA  
Phone: +82 32 220 0603  
E-mail: sales@sugatsune-korea.co.kr

SUGATSUNE KOGYO INDIA PRIVATE LIMITED  
Mumbai, INDIA  
Phone: +91 9867295957  
E-mail: sales@sugatsune.in  
Delhi, INDIA  
Phone: +91 9867295957  
+91 11 45093636  
E-mail: sales@sugatsune.in