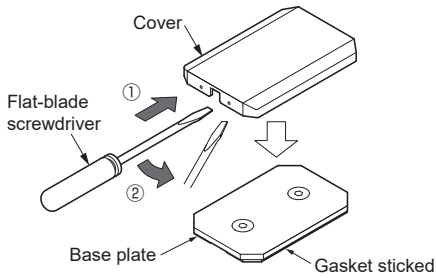


INSTALLATION PROCEDURE

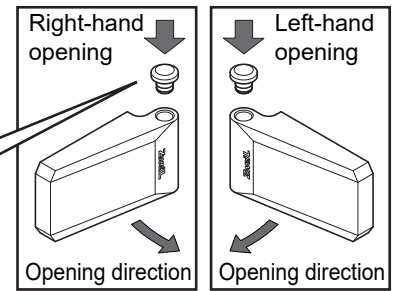
1 Removing the Cover



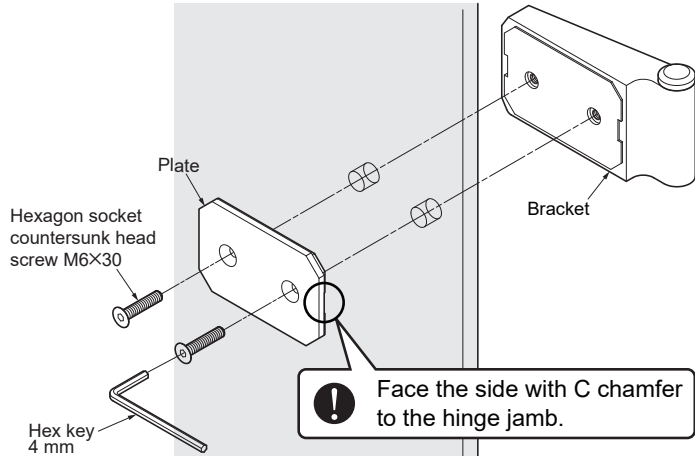
2 Assembly of head cap

Assemble the head cap to match the hand of the door.

! To prevent scratching, put a soft cloth when assembling the head cap with a plastic hammer.

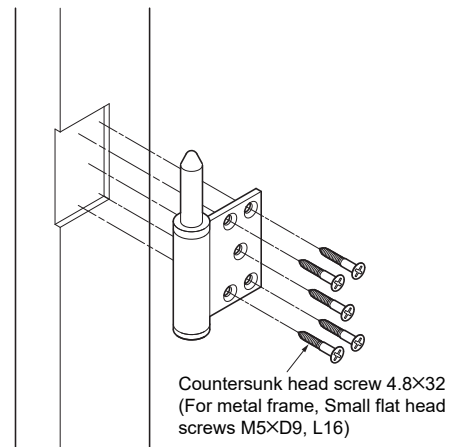


3 Mounting of the Bracket



4 Mounting of the hinge

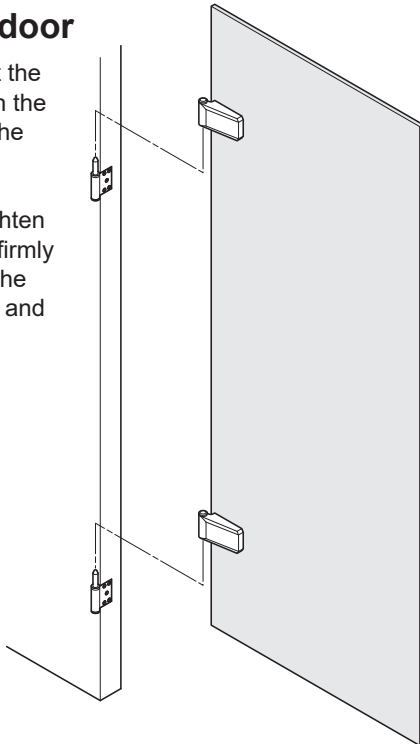
The figure shows the case of wooden frame mounting.



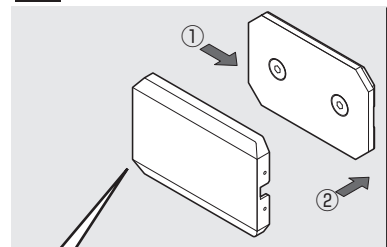
5 Hanging the door

If you need to adjust the door position, loosen the M6×30 screws on the plate slightly.

After adjustment, tighten the M6×30 screws firmly and check whether the door can be opened and closed smoothly.



6 Assembling the Cover



! Hook the projection of the cover onto the dimple of the gasket and press the cover to engage.

SUGATSUNE KOGYO CO.,LTD
Tokyo, JAPAN
Phone: +81 (0)3 3866 2260 E-mail:export@sugatsune.co.jp

SUGATSUNE KOGYO (UK) LTD
Reading, UK
Phone: +44 118 9272 955 E-mail:sales@sugatsune.co.uk

SUGATSUNE EUROPE GmbH
Düsseldorf, GERMANY
Phone: +49 211 53812900 E-mail:sales@sugatsune.eu

ISO9001(Japan Offices and Sugatsune America) and ISO14001(Chiba Production division and Logistics center), certified.

SUGATSUNE SHANGHAI Co., LTD
Shanghai, CHINA
Phone: +86 21 3632 1858 E-mail:lamp@sugatsune.com.cn

Guangzhou, CHINA
Phone: +86 20 6639 3552 E-mail:lamp@sugatsune.com.cn

SUGATSUNE KOGYO INDIA PRIVATE LIMITED
Mumbai, INDIA
Phone: +91 22 28314490/91 E-mail:sales@sugatsune.in

SUGATSUNE AMERICA, INC
California, USA
Phone: +1 310 329 6373 E-mail:sales@sugatsune.com

Chicago, USA
Phone: +1 312 461 1081 E-mail:chicagoshowroom@sugatsune.com.

SUGATSUNE CANADA, INC.
Phone: +1 514 312 5267 E-mail:support@sugatsune.ca

2020.02 1400-1