

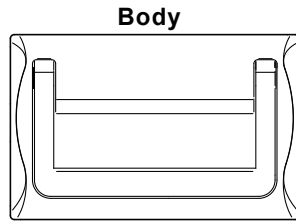
LAMP® HCT-150 INSTALLATION INSTRUCTIONS STAINLESS STEEL TRUNK HANDLE

Thank you for using our product. Before installation, please read this manual thoroughly to ensure correct installation. Please keep this manual at hand for future reference.

ABOUT THE PRODUCT

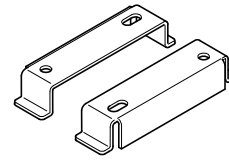
- This can be used as a handle for cases or doors.
- Spring powered to automatically close when hands are removed.
- Load capacity: 980 N (100 kgf)

COMPONENT PARTS



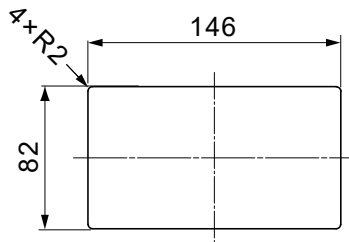
Bracket for sheet metal: 2 pcs
(thickness: 0.5 - 3.2 mm)

Truss head screw
M5x12: 4 pcs

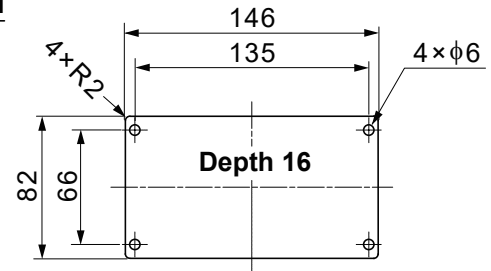


CUTOUT DIMENSIONS

For sheet metal

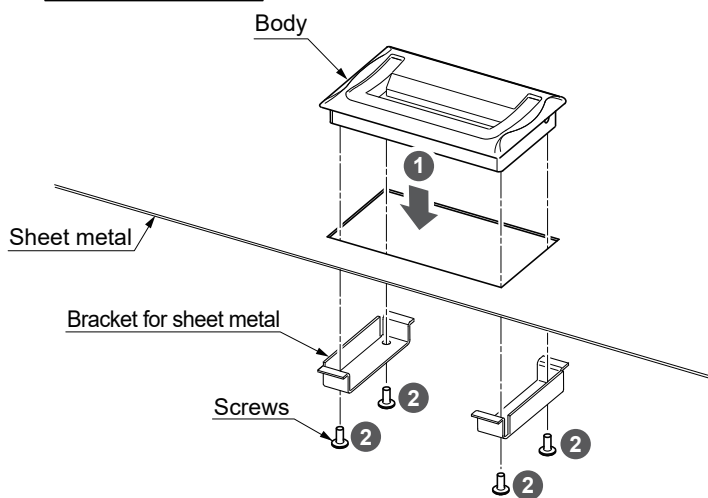


For wood

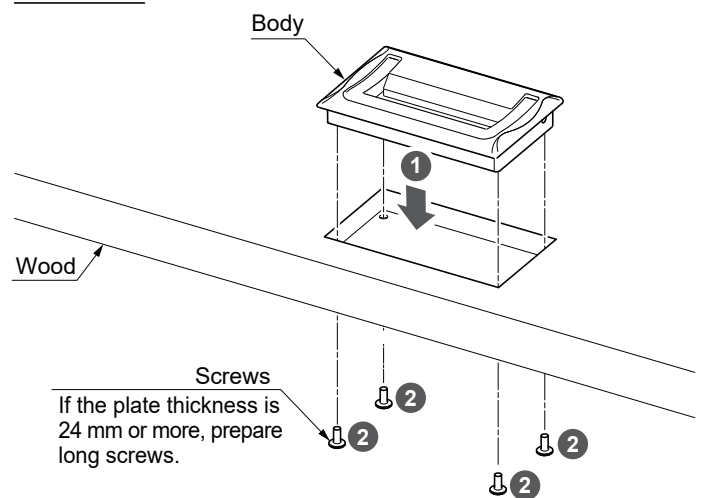


INSTALLATION PROCEDURE

For sheet metal



For wood



FOR YOUR SAFETY AND CORRECT INSTALLATION

Meaning of symbols



⚠ Caution : If not followed, injury or damage may result.

- ⊘ Do not use this product for any purpose or applications that are outside the specifications of this manual. Do not disassemble this product.
- ⚠ Screw locking is not used. Periodically check and retighten the screws.
- ⚠ The load capacity only refers to the product itself. Install the product in a location with sufficient strength.

SUGATSUNE KOGYO CO.,LTD
Tokyo, JAPAN
Phone: +81 (0)3 3866 2260 E-mail:export@sugatsune.co.jp

SUGATSUNE KOGYO (UK) LTD
Reading, UK
Phone: +44 118 9272 955 E-mail:sales@sugatsune.co.uk

SUGATSUNE EUROPE GmbH
Düsseldorf, GERMANY
Phone: +49 211 53812900 E-mail:sales@sugatsune.eu
ISO9001(Japan Offices and Sugatsune America) and ISO14001(Chiba Production division and Logistics center), certified.

SUGATSUNE SHANGHAI Co., LTD
Shanghai, CHINA
Phone: +86 21 3632 1858 E-mail:lamp@sugatsune.com.cn

Guangzhou, CHINA
Phone: +86 20 6639 3552 E-mail:lamp@sugatsune.com.cn

SUGATSUNE KOGYO INDIA PRIVATE LIMITED
Mumbai, INDIA
Phone: +91 22 28314490/91 E-mail:sales@sugatsune.in

SUGATSUNE AMERICA, INC
California, USA
Phone: +1 310 329 6373 E-mail:sales@sugatsune.com

Illinois, USA
Phone: +1 630 317 7072 E-mail:sales@sugatsune.com

SUGATSUNE CANADA, INC.
Phone: +1 514 312 5267 E-mail:support@sugatsune.ca