

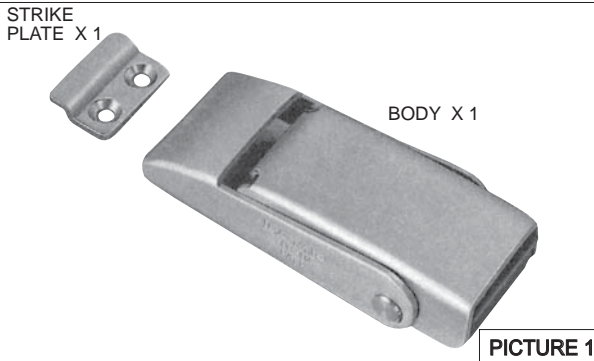
# LAMP® STF82L

DRAW LATCH (W/SAFETY LOCK)

## INSTALLATION INSTRUCTIONS

Please read instruction sheet carefully and thoroughly for proper installation.

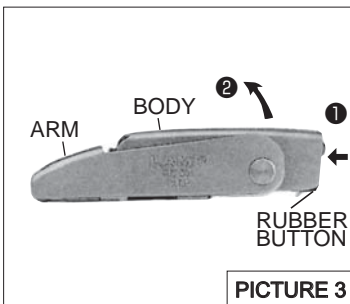
### COMPONENT PARTS



#### Screws needed:

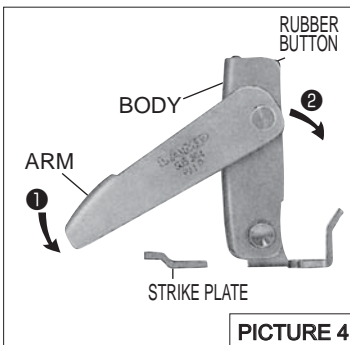
Countersunk head wood screw (4.1 mm)  
or Countersunk head screw (M4) ... 4 pcs

### HOW TO OPERATE



#### To release:

Press-and-hold rubber button ① and lift up body ②.



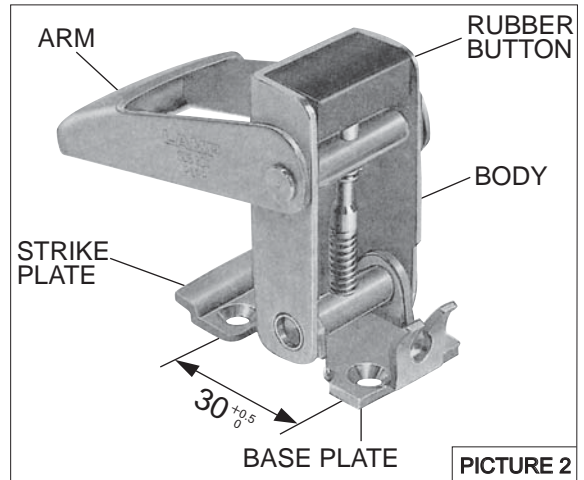
#### To fasten:

Hook arm ① on to strike plate ② properly. Pull and push down body ③.

#### Caution

Do not push body down when arm is not hooked on to strike plate properly as it may damage the product.

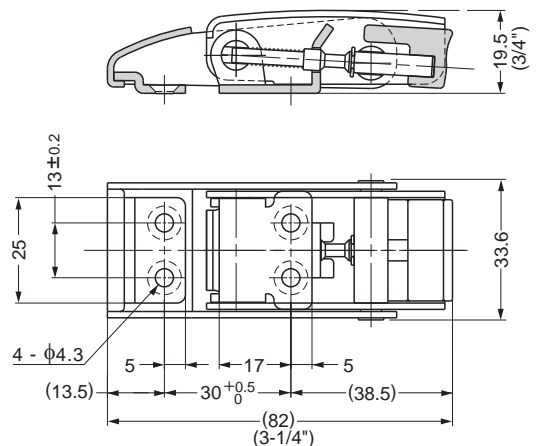
### PART NAMES



### HOW TO MOUNT

Place the strike and base plate at the position shown above, then fasten with the installation screws. Verify there is a distance of 30 (+0.5/0) mm between the hole centers of the strike and base plate.

### DIMENSIONS



**SUGATSUNE KOGYO CO.,LTD**  
Tokyo, JAPAN

Phone: +81 (0)3 3866 2260 E-mail:export@sugatsune.co.jp

**SUGATSUNE KOGYO (UK) LTD**  
Reading, UK

Phone: +44 118 9272 955 E-mail:sales@sugatsune.co.uk

**SUGATSUNE EUROPE GmbH**  
Düsseldorf, GERMANY

Phone: +49 211 53812900 E-mail:sales@sugatsune.eu

ISO9001(Japan Offices and Sugatsune America) and ISO14001(Chiba Production division and Logistics center), certified.

**SUGATSUNE SHANGHAI Co., LTD**  
Shanghai, CHINA

Phone: +86 21 3632 1858 E-mail:lamp@sugatsune.com.cn

**Guangzhou, CHINA**

Phone: +86 20 6639 3552 E-mail:lamp@sugatsune.com.cn

**SUGATSUNE KOGYO INDIA PRIVATE LIMITED**  
Mumbai, INDIA

Phone: +91 22 28314490/91 E-mail:sales@sugatsune.in

**SUGATSUNE AMERICA, INC**  
California, USA

Phone: +1 310 329 6373 E-mail:sales@sugatsune.com

**Chicago, USA**

Phone: +1 312 461 1081 E-mail:chicagoshowroom@sugatsune.com

**SUGATSUNE CANADA, INC.**

Phone: +1 514 312 5267 E-mail:support@sugatsune.ca