

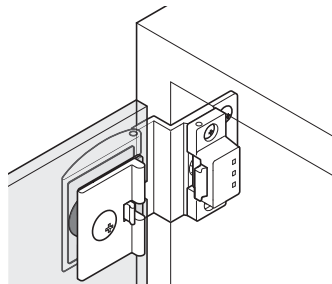
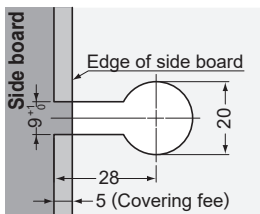
LAMP® GLASS DOOR HINGE W/ CATCH GH-456C Installation Manual

Thank you for selecting our product. Before installation, please read this manual thoroughly to ensure correct installation. Please keep this manual at hand for future reference.

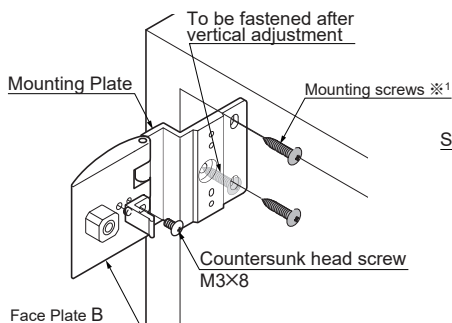
SPECIFICATIONS

Glass Size	Max. W600 × Max. H1200
Door weight	Max. 15kg / set
Glass thickness	5, 6, 8 mm

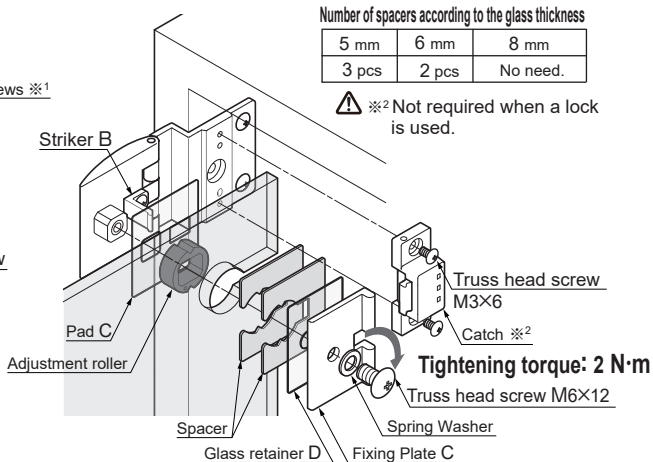
DIMENSIONS



INSTALLATION



※1 Hinge mounting screw
(Not provided)
Truss head tapping screw 4
or Wood screw 3.8



Number of spacers according to the glass thickness

5 mm	6 mm	8 mm
3 pcs	2 pcs	No need.

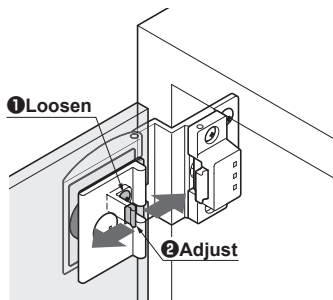
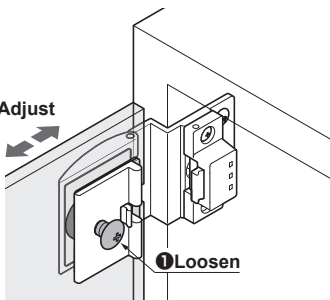
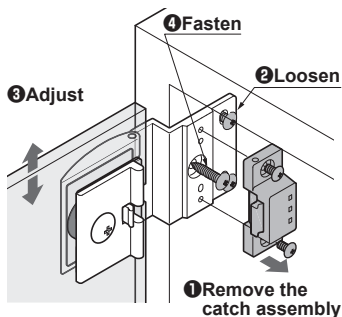
⚠ ※2 Not required when a lock is used.

DOOR ADJUSTMENT

Vertical adjustment: (±1 mm)

Horizontal adjustment: (±1.2 mm)

Catch adjustment



After adjustment, be sure to tighten the loosened screws.

SUGATSUNE KOGYO CO.,LTD
Tokyo, JAPAN
Phone: +81 (0)3 3866 2260 E-mail:export@sugatsune.co.jp

SUGATSUNE KOGYO (UK) LTD
Reading, UK
Phone: +44 118 9272 955 E-mail:sales@sugatsune.co.uk

SUGATSUNE EUROPE GmbH
Düsseldorf, GERMANY
Phone: +49 211 53812300 E-mail:sales@sugatsune.eu

SUGATSUNE SHANGHAI Co., LTD
Shanghai, CHINA
Phone: +86 21 3632 1858 E-mail:lamp@sugatsune.com.cn

Guangzhou, CHINA
Phone: +86 20 6639 3552 E-mail:lamp@sugatsune.com.cn

SUGATSUNE KOGYO INDIA PRIVATE LIMITED
Mumbai, INDIA
Phone: +91 22 28314490/91 E-mail:sales@sugatsune.in

SUGATSUNE AMERICA, INC
California, USA
Phone: +1 310 329 6373 E-mail:sales@sugatsune.com

Chicago, USA
Phone: +1 312 461 1081 E-mail:chicagoshowroom@sugatsune.com.

SUGATSUNE CANADA, INC.
Phone: +1 514 312 5267 E-mail:support@sugatsune.ca

ISO9001(Japan Offices and Sugatsune America) and ISO14001(Chiba Production division and Logistics center), certified.

2020.10 1226-2