

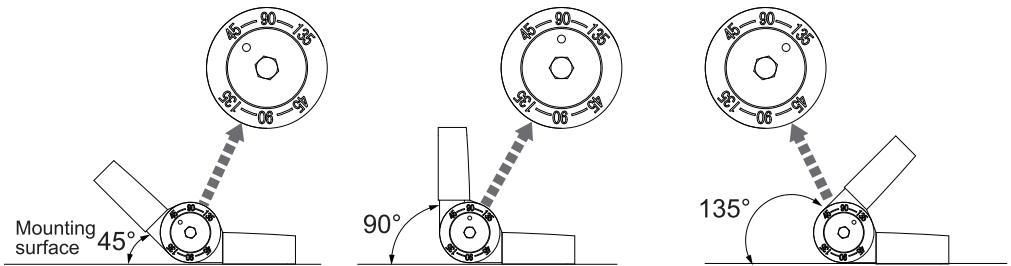
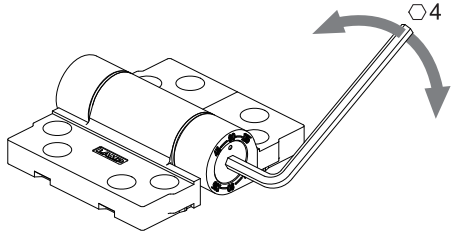
Thank you for selecting our product.  
Before starting installation, please read  
this manual thoroughly to ensure correct  
installation.

Item Code	Item Name	Colour
170-043-659	HG-CHJ70BL	Black
170-043-660	HG-CHJ70WT	White

## INSTALLATION

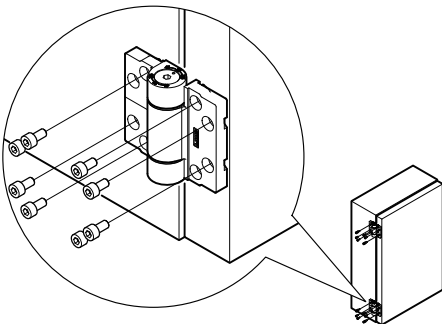
### 1 Choice of detent angle

Remove the cover(see **3** ).  
Choose detent angle from  
flat position.  
(Factory setting : 90°)



### 2 Mounting hinges

Recommended screw : Hexagon socket  
head bolt M5



### 3 Assembling cover

