

# LAMP DOOR LATCH ET-125T INSTALLATION MANUAL

Thank you for selecting our product. Before starting installation, please read this manual thoroughly to ensure correct installation. Please keep this manual at hand for future reference.

**⚠ Caution:** If these cautions are not followed, it may result in injury or damage.

- Although the product is non-handed, the latch lever, latch stopper, and strike mounting direction are symmetrical.
- Do not use in wet environments such as showers.
- Rust may appear if the product is subjected to chlorine exposure (marine environment, strong detergent...)
- Mounting screws, allen keys are not provided. Prepare them referring the descriptions on STEP2 and STEP3.

## INSTALLATION PROCEDURES (Unit: mm) Carefully install the latch to avoid injury.

### STEP 1 (Left Hand and Right Hand Types)

Prepare door and door jamb as shown in Fig.1 and Fig.2.  
Door thickness: 13~20 mm

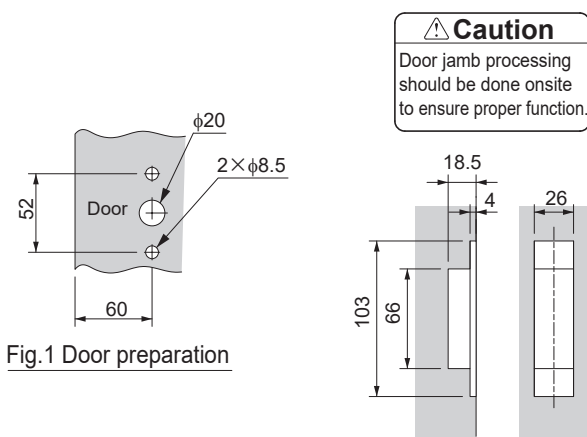


Fig.1 Door preparation

Fig.2 Door jamb preparation

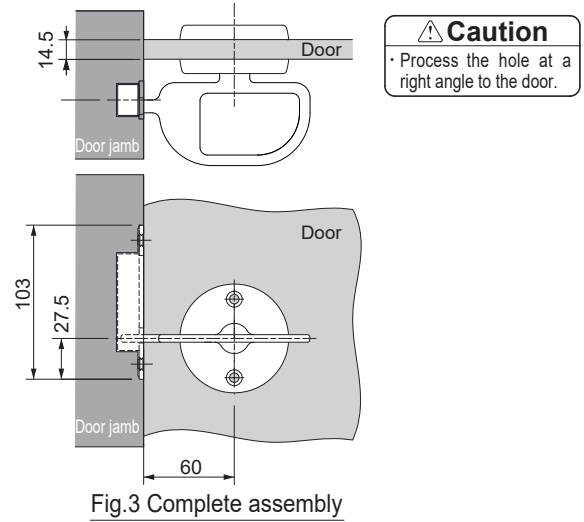


Fig.3 Complete assembly

### STEP 2

Ensure that the Latch body, stopper and lever are assembled as shown on Fig.8 (Right-hand) or Fig.9 (Left-hand), shown the right page. Mounting screws are not provided. Recommended screw size is shown in the table below.

※When installing latch stopper, refer to the instructions on right page.

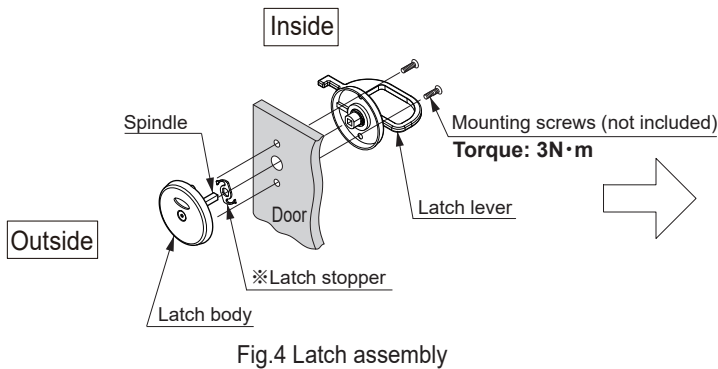


Fig.4 Latch assembly

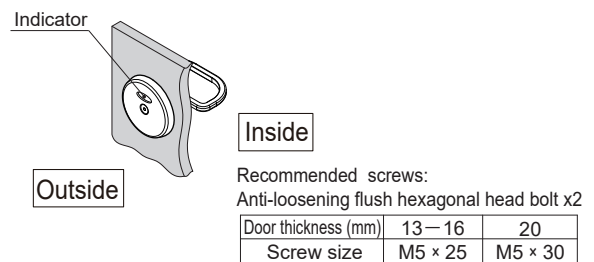


Fig. 5 Indicator and lever

### STEP 3

Install the strike plate and box as shown in Fig.6.  
Mounting screws are not provided. Recommended screw size is shown in below.

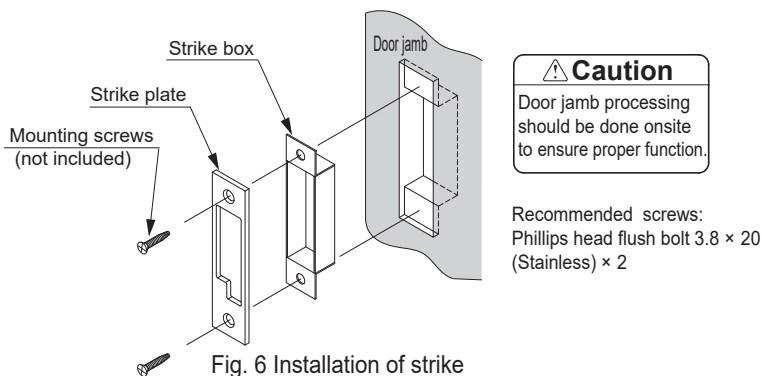


Fig. 6 Installation of strike

#### Emergency opening:

Insert and hexagonal wrench 3 in the hole below indicator and turn 90°.

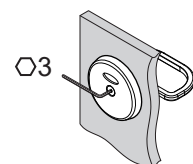
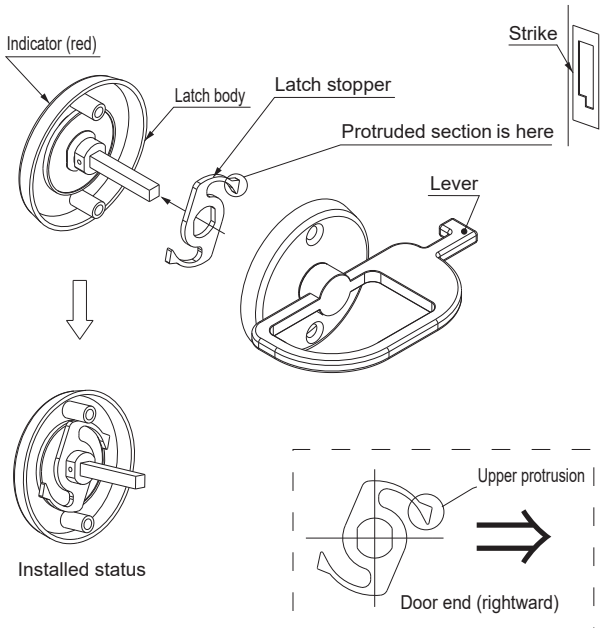


Fig. 7 Unlocking under emergency case

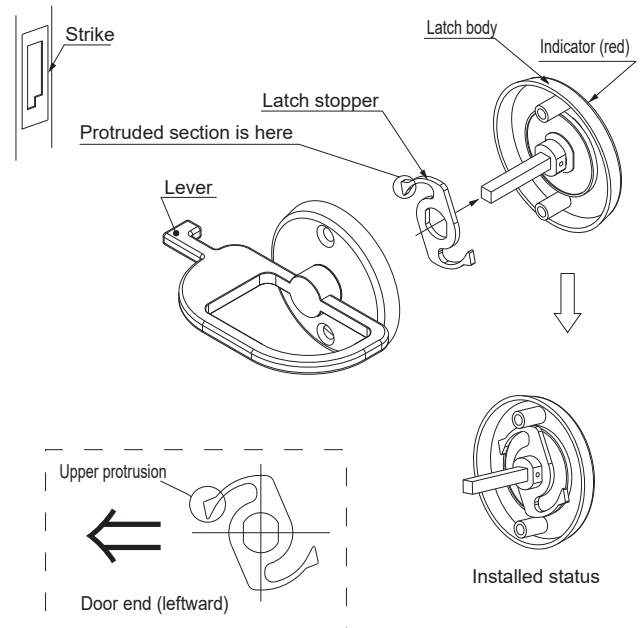
# INSTALLATION OF LATCH STOPPER (FOR ET-125)

**Fig. A: Right lock type**



**Fig. 8**

**Fig. B: Left lock type**

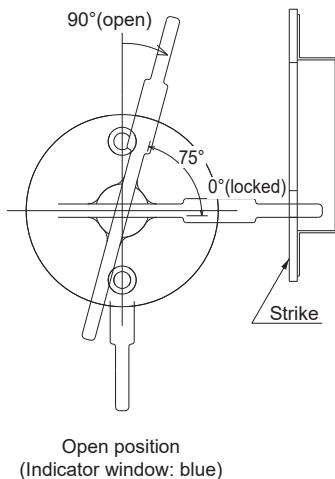


**Fig. 9**

**Assembly check**

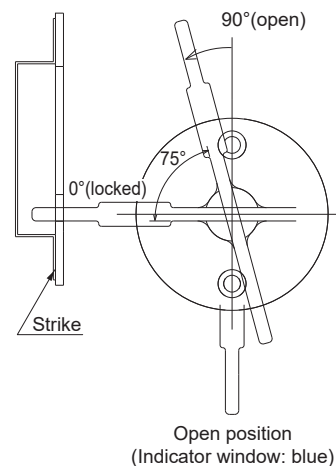
- To check proper assemble of the latch body, stopper and latch, turn the lever from 90° (vertical) towards 0° (horizontal).
- The lever should be held at 75°.
- If not, disassemble and change the position of the stopper as shown above in Fig.8 (Right-hand) or Fig.9 (Left-hand).

**Fig. C: Right lock type**



Open position  
(Indicator window: blue)

**Fig. D: Left lock type**



Open position  
(Indicator window: blue)

**SUGATSUNE KOGYO CO., LTD.**

Tokyo, JAPAN  
Phone: +81 3 3866 2260  
E-mail: export@sugatsune.co.jp

**SUGATSUNE KOGYO (UK) LIMITED**

Reading, UK  
Phone: +44 1189 272 955  
E-mail: sales@sugatsune.co.uk

**SUGATSUNE EUROPE GmbH**

Düsseldorf, GERMANY  
Phone: +49 211 53812 900  
E-mail: sales@sugatsune.eu

**SUGATSUNE AMERICA, INC.**

California, USA  
Phone: +1 310 329 6373  
E-mail: sales@sugatsune.com

**Chicago, USA**

Phone: +1 630 317 7072  
E-mail: sales@sugatsune.com

**SUGATSUNE CANADA, INC.**

Montreal, CANADA  
Phone: +1 514 312 5267  
E-mail: support@sugatsune.ca

**SUGATSUNE SHANGHAI CO., LTD.**

Shanghai, CHINA  
Phone: +86 21 3632 1858  
E-mail: lamp@sugatsune.com.cn

**Guangzhou, CHINA**

Phone: +86 20 6639 3554  
E-mail: lamp@sugatsune.com.cn

**SUGATSUNE KOREA CO., LTD.**

Incheon, KOREA  
Phone: +82 32 220 0603  
E-mail: sales@sugatsune-korea.co.kr

**SUGATSUNE KOGYO INDIA PRIVATE LIMITED**

Mumbai, INDIA  
Phone: +91 9867299597  
E-mail: sales@sugatsune.in

**Delhi, INDIA**

Phone: +91 9867299597  
+91 11 45093636  
E-mail: sales@sugatsune.in