

LAMP® HG-JHW DAMPER HINGE INSTALLTION MANUAL

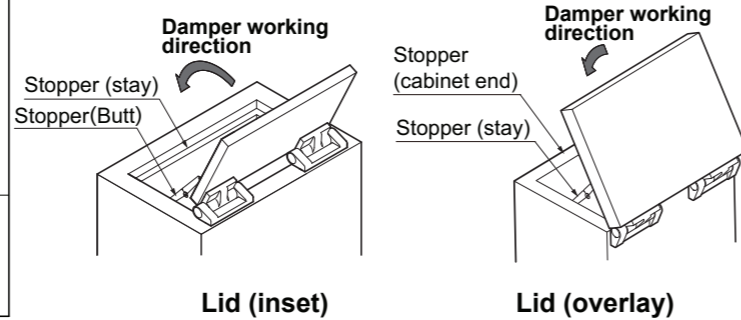


Thank you for using our product. Before installation, please read this manual thoroughly to ensure correct installation. Please keep this manual at hand for future reference.

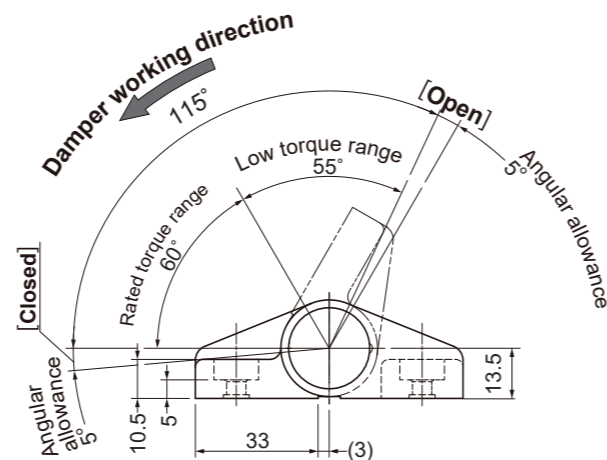
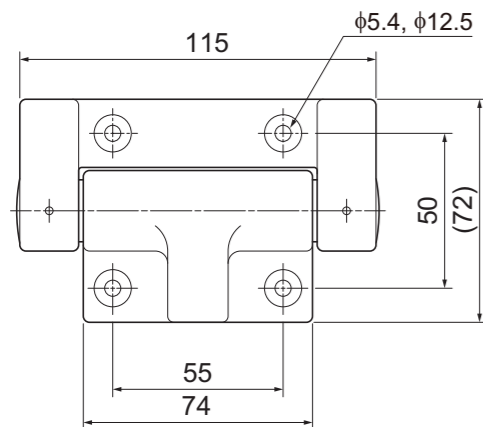
APPLICABLE LID AND DOOR

Lid (external fitting)		Downward opening door (internal fitting)
Overlay	Inset	

APPLICATION EXAMPLES



DIMENSIONS



※The "open" and "close" directions shown in the figure are for an external installation.

FOR YOUR SAFE WORK AND CORRECT INSTALLATION

Meaning of symbols

	Warning Caution		Prohibited		Required
--	------------------------	--	-------------------	--	-----------------

Caution If not followed injury or damage may result.

- ❗ This product should be mounted on a surface which has enough strength to hold the moment of the lid. If not, the lid may fall and cause injury.
- ⊘ Do not use this product for applications outside of its specification.
- ❗ Use stays and stoppers with the dampers to prevent over rotation. If not the damper may be damaged.
- ❗ Align the axis of both hinges. If not, malfunction or damage will result.
- ❗ When mounting the hinges to an inclined surface, contact us.
- ⊘ Do not use excessive force as this may result in damage.
- ⚠ If the lid is released at a low angle, the damper may not work properly.
- ⚠ If the operating temperature increases, the door movement becomes quicker. If the temperature decreases, movement becomes slower. This is not a mechanical problem.
- ⚠ Due to the large torque, it would be difficult to move back if the hinge was rotated to opening direction. Take care not to over rotate the hinge.



ITEMS TO BE PREPARED

- Screws (not provided): Hexagon socket head bolt M5 4 pcs, Plain washer (5 mm) 4 pcs

SPECIFICATIONS

Item name	Torque ※ ¹ N·m [kgf·cm]	Marking
HG-JHW50	6- 10 [61.2- 102]	White marking at back
HG-JHW70	10- 14 [102- 142.8]	Non-marking

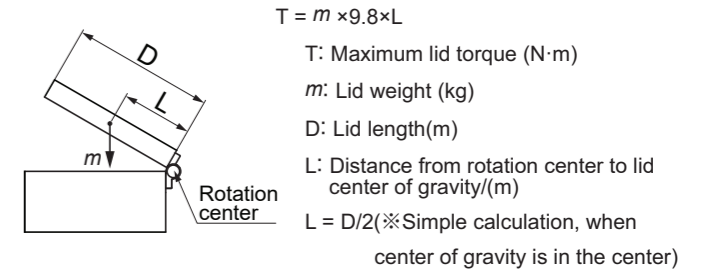
※¹ The figure shows the torque of two hinges per lid.

Ambient temperature: 0 to 40° C
Ambient humidity: Max. 90% RH

MAXIMUM LID TORQUE CALCULATION

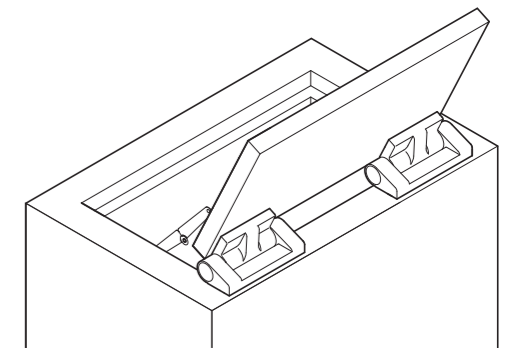


Sasuga-kun



INSTALLATION

- [1] Mount the hinge onto the cabinet or lid.
- [2] Rotate the hinge to the low torque range (60° - 115°), then fasten onto the lid or cabinet.
- [3] Verify that the lid movement is OK.



SUGATSUNE KOGYO CO., LTD.
Tokyo, JAPAN
Phone: +81 3 3866 2260
E-mail: export@sugatsune.co.jp

SUGATSUNE KOGYO (UK) LIMITED
Reading, UK
Phone: +44 1189 272 955
E-mail: sales@sugatsune.co.uk

SUGATSUNE EUROPE GmbH
Düsseldorf, GERMANY
Phone: +49 211 53812 900
E-mail: sales@sugatsune.eu

SUGATSUNE AMERICA, INC.
California, USA
Phone: +1 310 329 6373
E-mail: sales@sugatsune.com

Chicago, USA
Phone: +1 630 317 7072
E-mail: sales@sugatsune.com

SUGATSUNE CANADA, INC.
Montreal, CANADA
Phone: +1 514 312 5267
E-mail: support@sugatsune.ca

SUGATSUNE SHANGHAI CO., LTD.
Shanghai, CHINA
Phone: +86 21 3632 1858
E-mail: lamp@sugatsune.com.cn

Guangzhou, CHINA
Phone: +86 20 6639 3554
E-mail: lamp@sugatsune.com.cn

SUGATSUNE KOREA CO., LTD.
Incheon, KOREA
Phone: +82 32 220 0603
E-mail: sales@sugatsune-korea.co.kr

SUGATSUNE KOGYO INDIA PRIVATE LIMITED
Mumbai, INDIA
Phone: +91 9867299597
E-mail: sales@sugatsune.in

Delhi, INDIA
Phone: +91 9867299597
+91 11 45093636
E-mail: sales@sugatsune.in