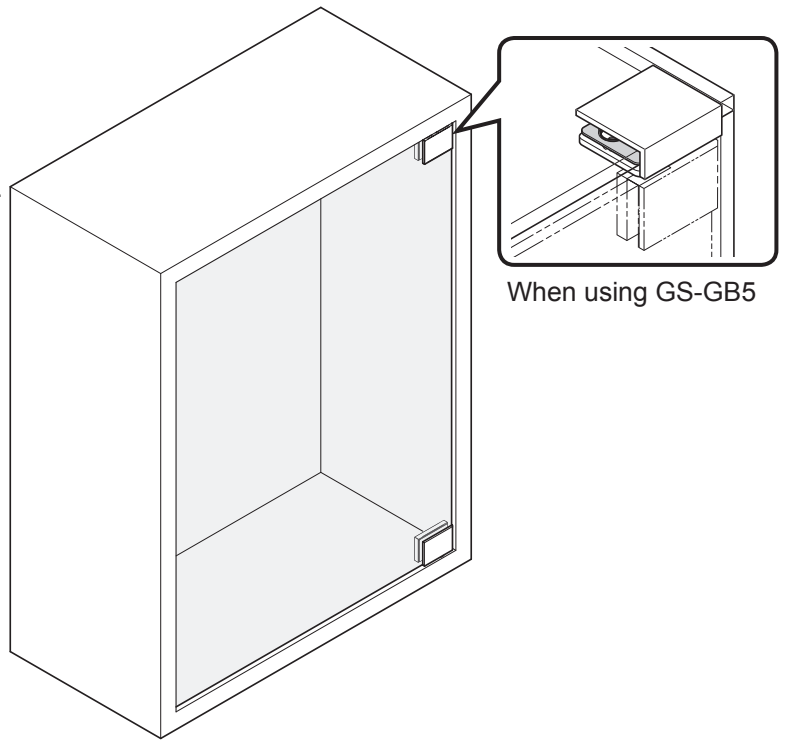


LAMP® GS-GH5 Glass Pivot Hinge, GS-GB5 Glass Bracket Installation Manual

Thank you for selecting our product. Before starting installation, please read this manual thoroughly to ensure correct installation. Please keep this manual at hand for future reference.

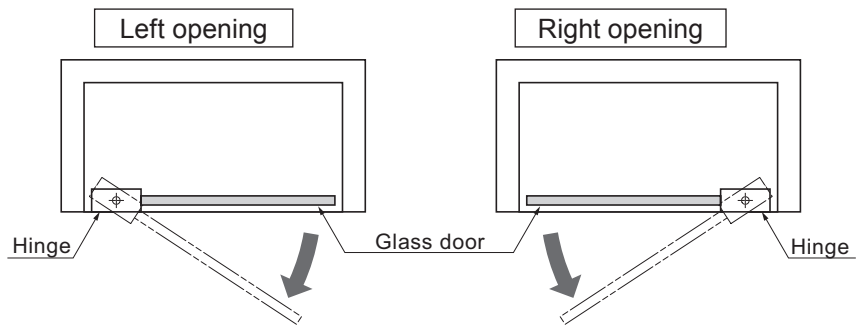
ABOUT THE PRODUCT

- Inset hinge for a glass showcase.
- Door can be mounted with assembled hinges.
- Horizontal door position is adjustable when mounted.
- Vertical door position can be adjusted by adding a washer or a spacer.
- All hinges, brackets, and locks in the GS-series follow the same design pattern.



SPECIFICATIONS

Door size	W600 x H900
Door weight	Max. 8 kg
Glass thickness	5 or 6 mm (Door)
	8 mm (Top glass)



FOR YOUR SAFE WORK AND CORRECT INSTALLATION

Meaning of symbols

Warning Caution	Prohibited	Required
--------------------	------------	----------

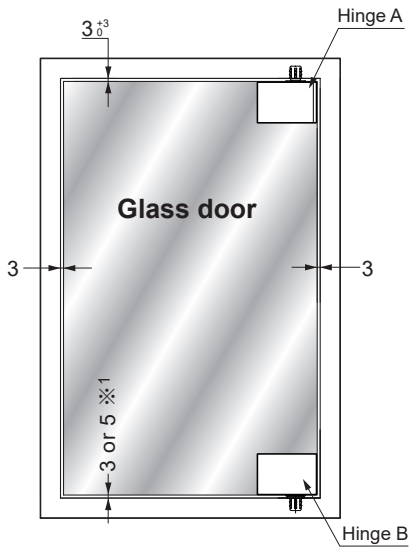
Caution If not followed injury or damage may result.

- ❗ Apply door stoppers to protect the hinges and glass door, when closing .
- ❗ Prepare a cabinet which can endure the weight of the door.
- ❗ Use tempered glass. It is recommended to use shatter-proof film on the glass. For areas where the glass brackets grip, make sure to remove the shatter-proof film before installing.

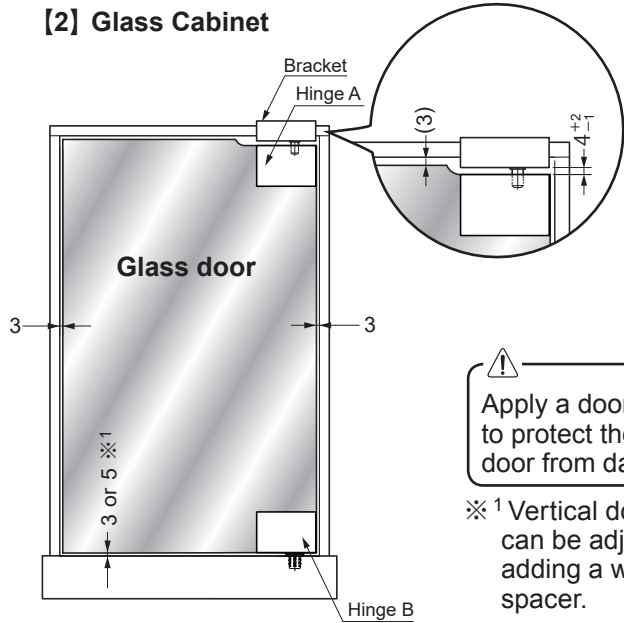
INSTALLATION DRAWING (EXAMPLE)

The images shown below are for a right opening door. A left opening door is the mirror opposite except with hinge A and B reversed on the left side.

[1] Wood Cabinet



[2] Glass Cabinet



⚠ Apply a door stopper to protect the glass door from damage.

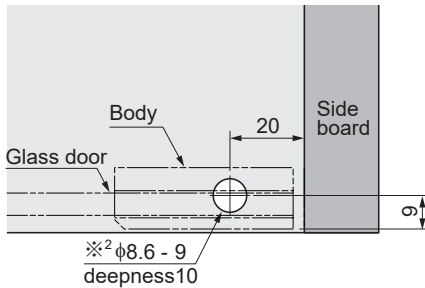
※1 Vertical door position can be adjusted by adding a washer or a spacer.

DOOR AND CABINET PROCESS DIMENSIONS

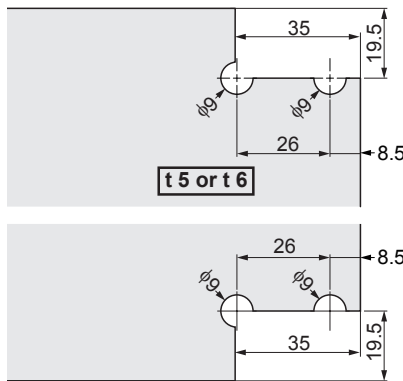
(Right opening Shown. The left opening is a mirror image.)

Wood top board and Wood bottom board

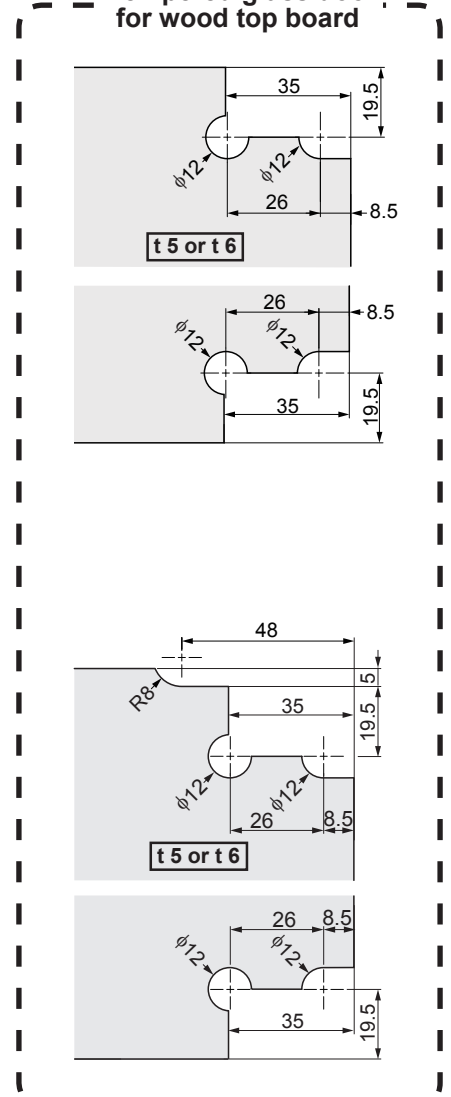
※2 Use hardwood or reinforce this part with adhesive to prevent the insert nut from loosening.



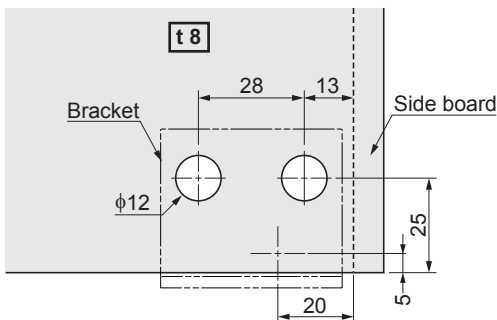
Glass door for wood top board



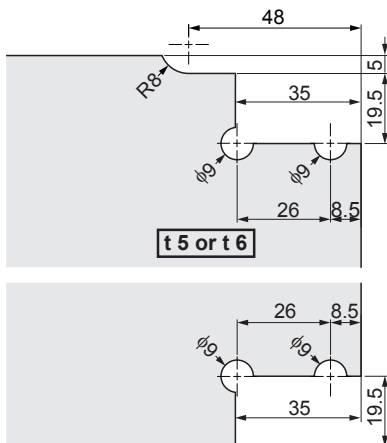
Tempered glass door for wood top board



Glass top board (for GS-GB5)



Glass door for glass top board

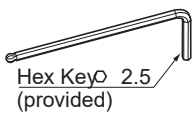
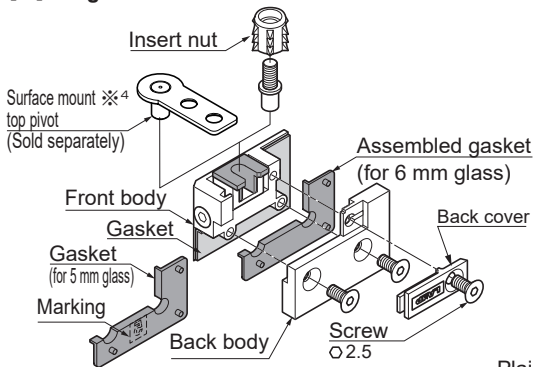


COMPONENT PARTS (PER BOX)

Hinge GS-GH05 The images shown below are for a right opening door.

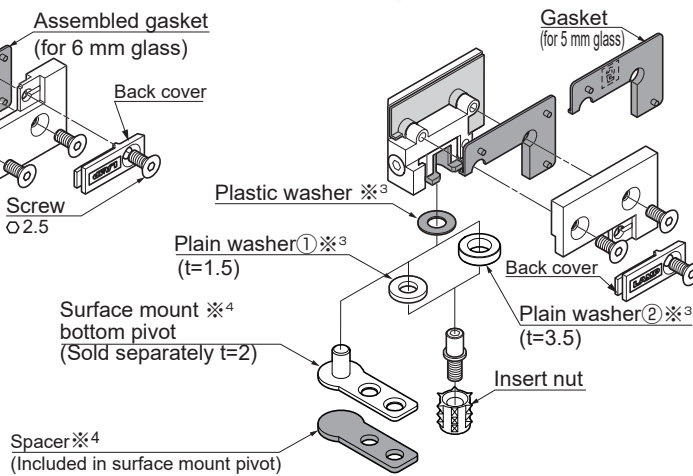
A left opening door is the mirror opposite except with hinge A and B reversed on the left side.

[1] Hinge A

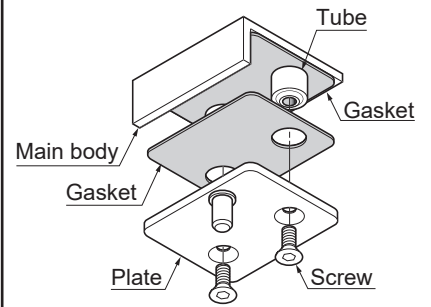


[2] Hinge B

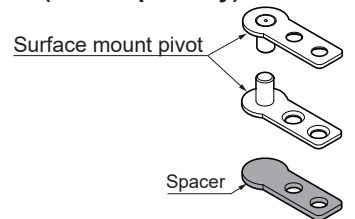
※³ These parts should be assembled into bottom part.
Door bottom gap can be adjusted by choosing washer (① or ②), or by adding the spacer when using surface mount pivot. ※⁴



Bracket GS-GB5



※⁴ **Surface mount pivot (Sold separately)**

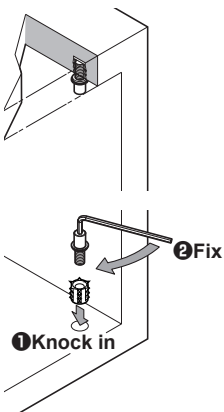


Provided screw:
Countersunk head tapping screw 3.5 x 15...4 pcs

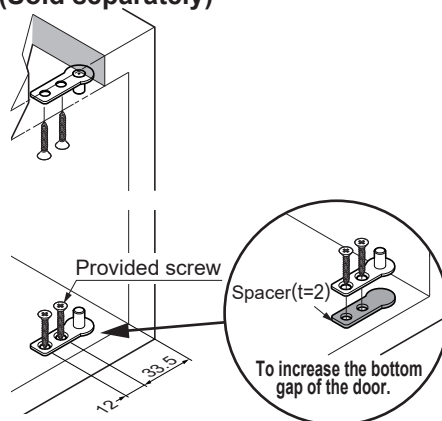
INSTALLATION Hinge GS-GH5 (Right opening)

1 Installing pivot

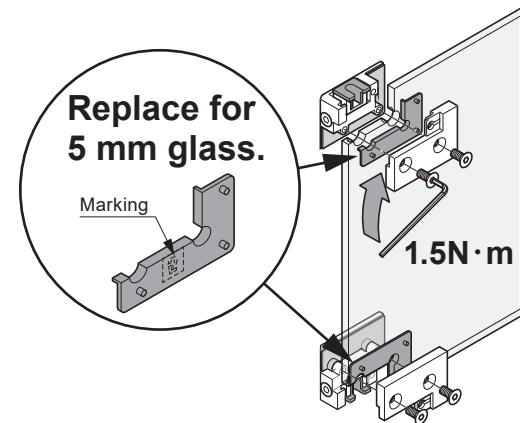
Pivot with insert nut



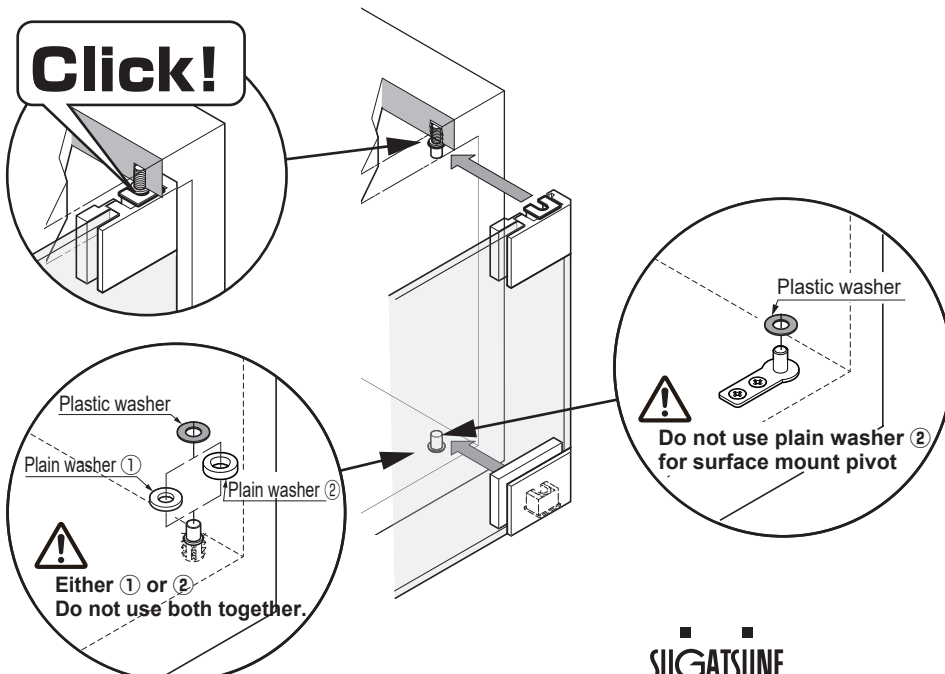
Surface mount pivot (Sold separately)



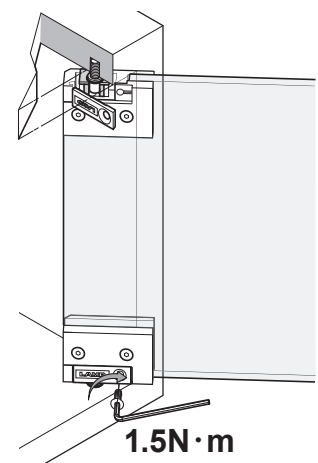
2 Assembling hinge parts



3 Door installation



4 Back cover installation



5 Door adjustment (± 2.5 mm)

CAUTION

Do not turn the adjustment screw beyond adjustment range.

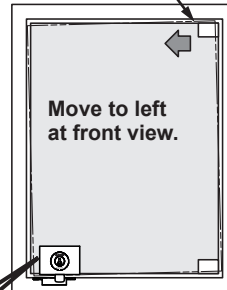
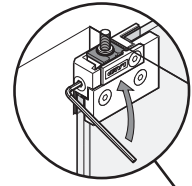
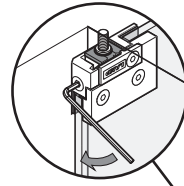


CAUTION

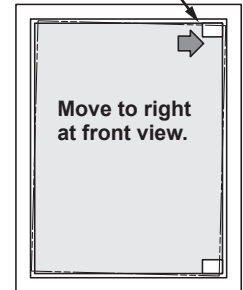
Do not use a motor screw driver.

Clockwise

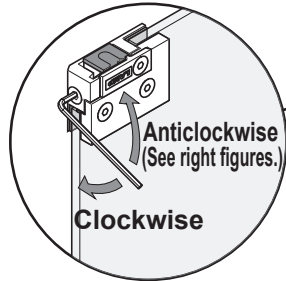
Anti-clockwise



Move to left
at front view.

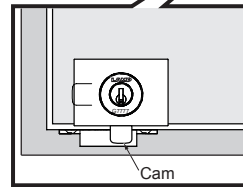
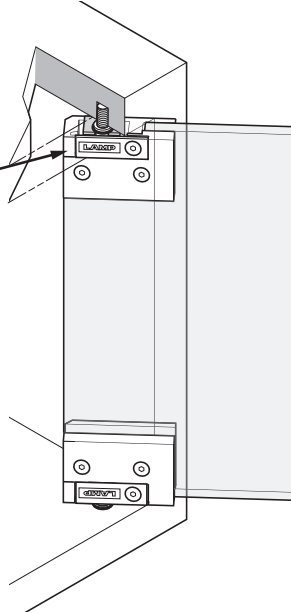


Move to right
at front view.



Anticlockwise
(See right figures.)

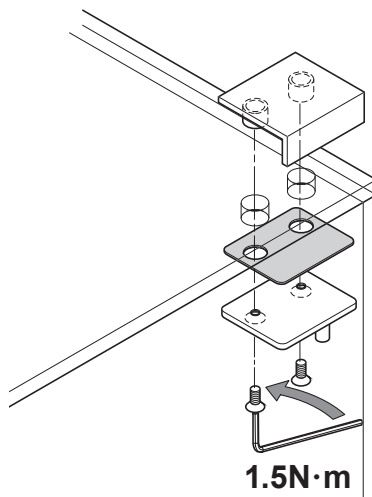
Clockwise



For doors with a cam lock,
check the movement of the cam
when adjusting the door position.

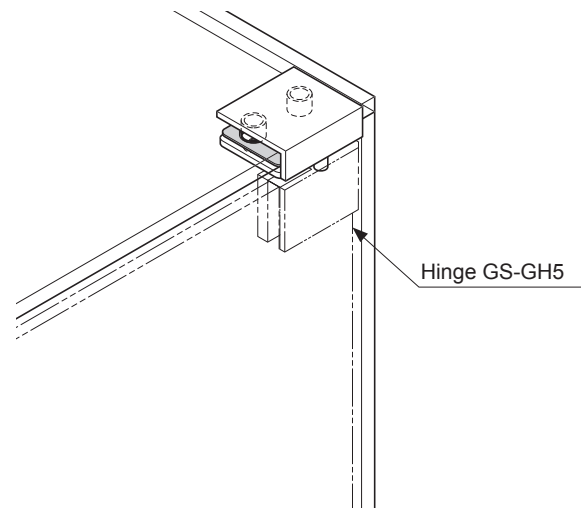
INSTALLATION Bracket GS-GB5

1 Assembling bracket parts



1.5N·m

2 Door mount (See page3 3, to page4 5.)



Hinge GS-GH5

SUGATSUNE KOGYO CO.,LTD

Tokyo, JAPAN

Phone: +81 (0)3 3866 2260 E-mail:export@sugatsune.co.jp

SUGATSUNE KOGYO (UK) LTD

Reading, UK

Phone: +44 118 9272 955 E-mail:sales@sugatsune.co.uk

SUGATSUNE EUROPE GmbH

Düsseldorf, GERMANY

Phone: +49 211 53812900 E-mail:sales@sugatsune.eu

SUGATSUNE SHANGHAI Co., LTD

Shanghai, CHINA

Phone: +86 21 3632 1858 E-mail:lamp@sugatsune.com.cn

Guangzhou, CHINA

Phone: +86 20 6639 3552 E-mail:lamp@sugatsune.com.cn

SUGATSUNE KOGYO INDIA PRIVATE LIMITED

Mumbai, INDIA

Phone: +91 22 28314490/91 E-mail:sales@sugatsune.in

SUGATSUNE AMERICA, INC

California, USA

Phone: +1 310 329 6373 E-mail:sales@sugatsune.com

Chicago, USA

Phone: +1 312 461 1081 E-mail:chicagoshowroom@sugatsune.com.

SUGATSUNE CANADA, INC.

Phone: +1 514 312 5267 E-mail:support@sugatsune.ca

ISO9001(Japan Offices and Sugatsune America) and ISO14001(Chiba Production division and Logistics center), certified.

2020.02 1075-7