

LAMP® SOFT DOWN STAY SDS-100-TV / TVZ INSTALLATION INSTRUCTION



- Please read this instruction sheet carefully for proper installation and operation. Incorrect installation and improper use of the product may damage the unit or cause injury.
- This stay is designed for furniture or lightweight doors and is equipped with a damping function.
- Sugatsune guarantees the quality of this product as for all its parts. It cannot however guarantee the final assembly as a whole.
- This product was manufactured and delivered with our utmost care. Should you however find any defect, please contact your dealer immediately.
- Sugatsune warrants that this product is free from defect for a period of one(1) year from the date of delivery.
- Sugatsune liability is limited to the replacement of this product by a similar one free of defect. In no case does this extend to the replacement of the installation or cabinet as a whole.
- Please keep these instructions at hand for future use.
- Sugatsune cannot be held liable for any damage or injury caused by improper use or any use different than the one this product was designed for.

⚠️ Cautions Any failure to observe the following precautions may result in personal injury or damage to the cabinet.

- Make sure that installation position and specifications are followed. Unsuitable installation position may damage the mechanism in the case two stays are used together.
- Make sure that the arm of the stay is parallel with the side panel of the cabinet.
- To avoid serious damage and/or injury, do not attempt to disassemble the body of SDS stay.
- Please avoid forced opening beyond the opening angle, and using excessive force while opening the door.
- Applicable working temperature is between 5-35 °C and the opening/closing speed may differ with temperature change.
- The door opening/closing speed may be too slow or fast when out of applicable working temperature range. (5-35 °C)
- This product has a spring at the elbow section. Please be careful not to get your fingers caught in the elbow section while you are handling the unit.
- It is necessary to periodically check the fixing screws for loosening. Tighten the loosened screws as required.
- Do not force the door to close faster. It can cause damage to the product or hinge(s).
- Please make sure to check the operation after installation.
- Additional supporting stay may be needed when an object or any enforcement is put on the door in the opening position.
- SDS-100-TV / TVZ does not have a catch function. Additional parts with catch/latch function are required to keep the door closed.
- SDS-C100-TV / TVZ has a catch function, which keeps the door closed. Depending on the number of stays used or door size/weight etc., the opening enforcement will differ.

Item No.	Suitable Screw on mounting plate	Suitable Screw on arm fixing plate
SDS-100-TV, SDS-C100-TV, SDS-100-TVZ, SDS-C100-TVZ	φ3.5×4	φ3.5×2

THE DIMENSION OF THE FLAP

STAY must be used taking the size of the door into consideration. The graph indicates the usable range when using one SDS stay. When using two stays, the width of the flap can be twice as large, if the height remains unchanged. (Note) The graph shown to the left is in case of a general wooden door of 18mm thick, (specific gravity approx. 0.5) 2 piece usage will be recommended for door width over 900mm. For SDS-C100-TV, in order to maintain the catch function, the recommended door height in usage is 150-300 mm. In case of lighter or heavier flap doors that do not fit within the above specified range, please contact your dealer.

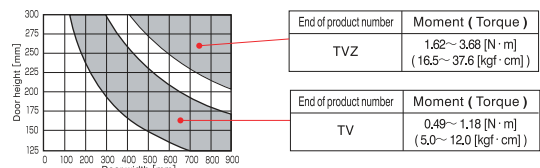
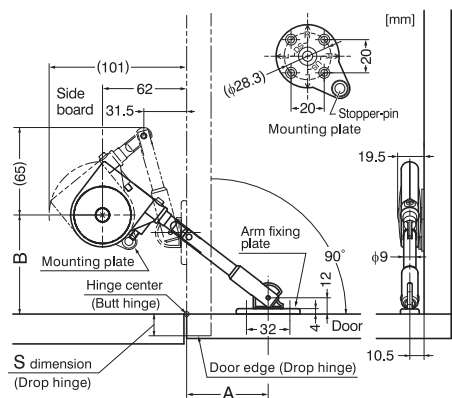


PLATE POSITION FOR INSTALLATION

Example for use of butt hinge or drop hinge on right hand side board. In order to avoid any gap in the installation, we recommend that you pre-drill the holes for the mounting plate and arm bracket.



APPLICABLE TORQUE MOMENT

Check the torque moment of your door or lid by using the following formula.
1 piece use : 1/2 of Door Height [mm] × Weight [kg] × 9.8 = Moment
When using in pairs, it can handle up to twice the above moment.

Depending on the type of the hinges used, the position of the mounting plate and arm fixing plate should be fixed as indicated below. The distance of A, B are measured from the center of the butt hinge. In the case of a drop hinge, dimension A indicates the door edge and dimension B the top surface of the bottom board.

	A	B
Butt hinge	60	73
Drop hinge (SDH-001)	49+S	62
Drop hinge (SDH-P)	47+S	60

S = Overlay distance for drop hinge
In case other types of hinges, other angle openings or other thickness of flap are used, please contact your dealer.

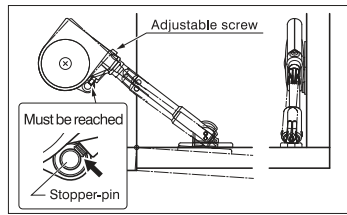
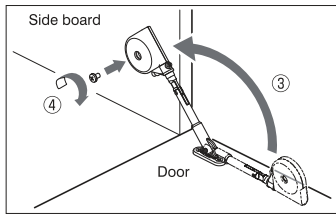
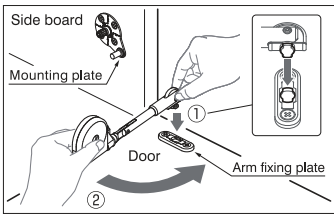
HOW TO INSTALL

Install the mounting plate and arm fixing plate with the included screws at the designated places.

- 1 Insert the key of the cam of arm-rip into the key hole of the fixing plate. The main body must be placed at 90 degrees angle against the fixing plate.
- 2 While turning the main body ensure to hold the arm along with the main body.
- 3 Turn the main body approx. 90 degrees and insert the pin of the mounting plate in the hole of the main body.
- 4 Fix the main body with bind screw provided.

ADJUSTMENT

At maximum door opening angle, make the adjustment of arm-fold in straight by adjustable screw of main body on stopper-pin.



SUGATSUNE KOGYO CO.,LTD
Tokyo, JAPAN
Phone: +81 (0)3 3866 2260 E-mail: lamp@ Sugatsune.co.jp
SUGATSUNE KOGYO (UK) LTD
Reading, UK
Phone: +44 118 9272 955 E-mail: sales@sugatsune.co.uk
SUGATSUNE EUROPE GmbH
Düsseldorf, GERMANY
Phone: +49 211 53812900 E-mail: sales@sugatsune.eu

SUGATSUNE SHANGHAI Co., LTD
Shanghai, CHINA
Phone: +86 21 3632 1858 E-mail: lamp@sugatsune.com.cn
Guangzhou, CHINA
Phone: +86 20 6639 3552 E-mail: lamp@sugatsune.com.cn
SUGATSUNE KOGYO INDIA PRIVATE LIMITED
Mumbai, INDIA
Phone: +91 22 26314490/91 E-mail: sales@sugatsune.in

SUGATSUNE AMERICA, INC
California, USA
Phone: +1 310 329 6373 E-mailsales@sugatsune.com
Chicago, USA
Phone: +1 312 461 1081 E-mail:chicagoshowroom@sugatsune.com.
SUGATSUNE CANADA, INC.
Phone: +1 514 312 5267 E-mail:support@sugatsune.ca