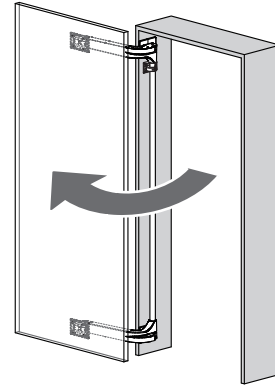


Thank you for selecting our product. Before starting installation, please read this manual thoroughly to ensure correct installation. Please keep this manual at hand for future reference.

ABOUT THE PRODUCT

- Can be used for both cabinet and passage doors.
- Easy installation and adjustment.
- Door will be flush with surrounding walls.
- There is no need of embedding a rail on the floor.



Video Link

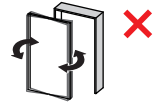


FOR YOUR SAFE WORK AND CORRECT INSTALLATION

⊘	This symbol denotes prohibited actions.
ⓘ	This symbol denotes what must be done.

! WARNING: If these warnings are not followed, it may result in death or serious injury.

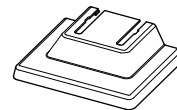
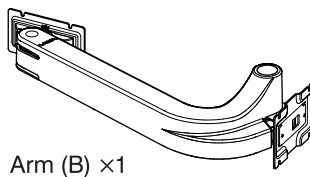
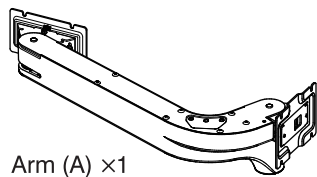
- ⓘ This (lateral swing door system) should be installed by an experienced person who has correct knowledge. If the system is not installed correctly, the door will not operate smoothly, and or may cause injury.
- ⓘ It is necessary to manufacture the frame with sufficient strength so it endures the weight of the door and impact shocks upon opening/closing the door. A frame with poor strength might result in improper and slower movement of the door. In the worst case, the door might fall off and cause injury.
- ⊘ Do not try to use this product for any other purposes other than originally intended for. Do not use the parts for applications that are out of specifications.
- ⊘ Do not disassemble or modify any parts other than those described in this document.
- ⊘ Arms are only designed to hold the door. Do not sit on them or hang anything else other than the door.
- ⊘ Do not swing the door with excessive force as this may damage the mechanism (see illustration on the right).
- ⊘ Do not use excessive force to further open the completely opened door or to open/close the door as this could result in malfunction.



! Caution: If these cautions are not followed, it may result in injury or damage.

- ⓘ This lateral swing door system is a part for furniture or architectural fittings. After installation, make sure to test the finished product thoroughly to ensure that it is well-functioning and safe.
- ⓘ Make sure to follow the designated measurements and specifications as well as horizontal and verticals angles. Make sure that the frame is not warped, since it may affect the movement of the door.
- ⓘ The company is conducting strict checks on the products. However, if any defects are found on the product, contact the retailer.
- ⓘ When cleaning heavy soiling, wipe off with neutral detergent diluted with water.
- ⓘ Make sure to test the screws for slack at regular intervals (one month from first usage, half year and then one time every year is recommended).

COMPONENT PARTS



Connecting Bar ×1 (Packed separately.)



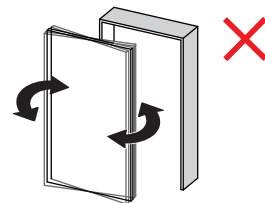
Truss head tapping screw 6×25 ×16

■ Tools needed for assembly (Please prepare * when installing on aluminum frame.)

- Screwdriver(+) No.3 · Screwdriver(+) No.2 · Hex key 4mm * Aluminum frame 40×160
- * Screw (M6×12) & Nut × 8 set * Aluminum frame fixing angle, including fixing screws and nuts. * Hex key 5mm

⚠ WARNING

- ⊗ Arms are only designed to hold the door. Do not sit on them or hang anything else other the door.
- ⊗ Do not swing the door with excessive force as this may damage the mechanism (see illustration on the right).
- ⊗ Do not use excessive force to further open the completely opened door or open/close the door as this could result in malfunction.

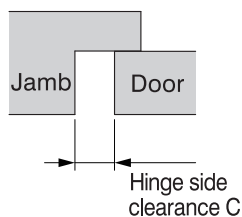


SPECIFICATIONS

Door Width	750 ~ 1100 mm	Door Thickness	24 ~ 40 mm
Door Height	2400 ~ 2980 mm	Door Weight	Max.90 kg/Door
Temperature of use	0 ~ 40 °C		

❗ Handle should be installed within the range below.

Table 1: Handle position area



Door width	Clearance C		
	10	15	20
750 ~ 900	Max. 300	Max. 350	Max. 500
900 ~ 1000	Max. 200	Max. 250	Max. 400
1000 ~ 1100	Max. 100	Max. 150	Max. 300

[mm]

※Door Thickness : 40 mm
 ※Handle position area is centred on the door width.

INSTALLATION PROCEDURE

This drawing shows the left handed opening type. Installation for right handed opening is symmetrically opposite.

● For wood frame installation,
 please refer to **1 ~ 8**.

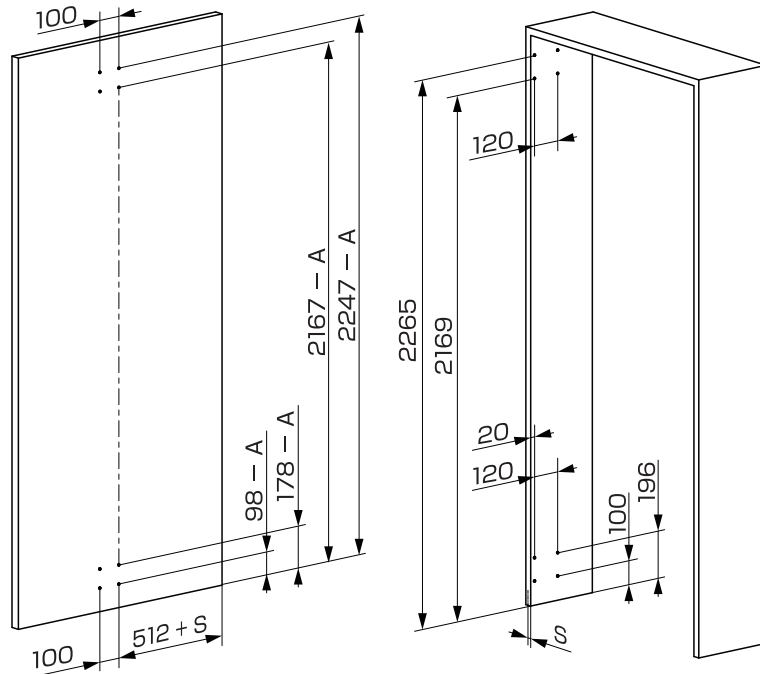
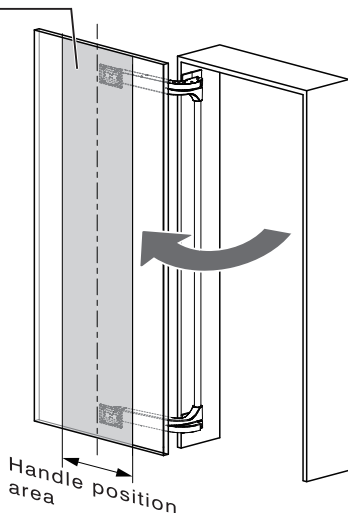
● For aluminum frame installation,
 please refer to **1 ~ 2** and **9 ~ 13**.

1 HOLE DRILLING

Please refer to the cut out dimensions shown on the right or the template.

For the installation on the aluminum side frame, please refer only to the door side.

Handle should be installed within the area shown in Table 1.



A: adjustment factor (refer to the table below) S: door overlay

*The drawing below takes into consideration a 10mm clearance between the floor and the door.

❗ The table below shows the adjustment factor A depending on the door weight. Ensure that you adjust according to your door weight.

Door weight	Adjustment factor A	Door weight	Adjustment factor A	Door weight	Adjustment factor A
20 kg	2 mm	50 kg	6.5 mm	80 kg	11 mm
30 kg	3.5 mm	60 kg	8 mm	90 kg	12.5 mm
40 kg	5 mm	70 kg	9.5 mm		

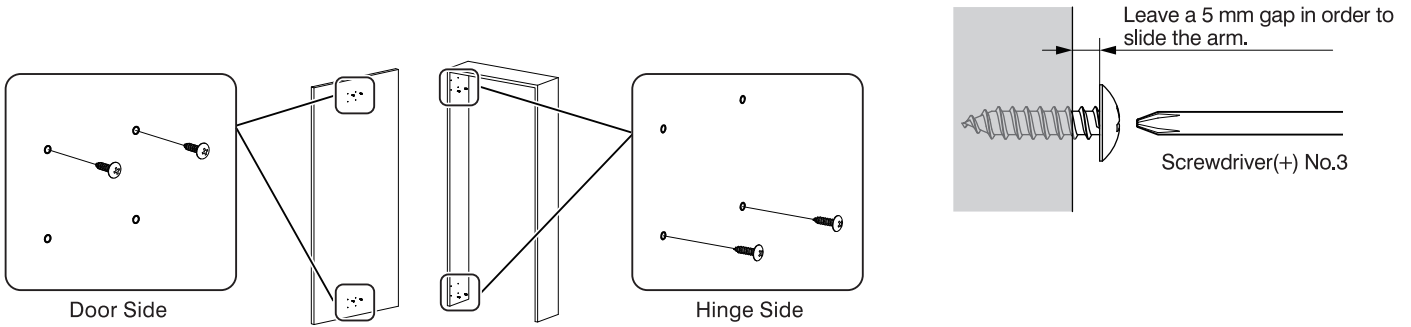
• If you use a thick carpet, ensure that there is enough clearance for free movement of the door.

• A ±7mm height adjustment is possible after installation. Please refer to P.4 **7**.

2 PRE-INSTALLATION

Pre-fix the 4 lower screws (2 for top and 2 for bottom arm) on the hinge side, and 4 upper screws on the door side, using the truss tapping 6x25 screws provided.

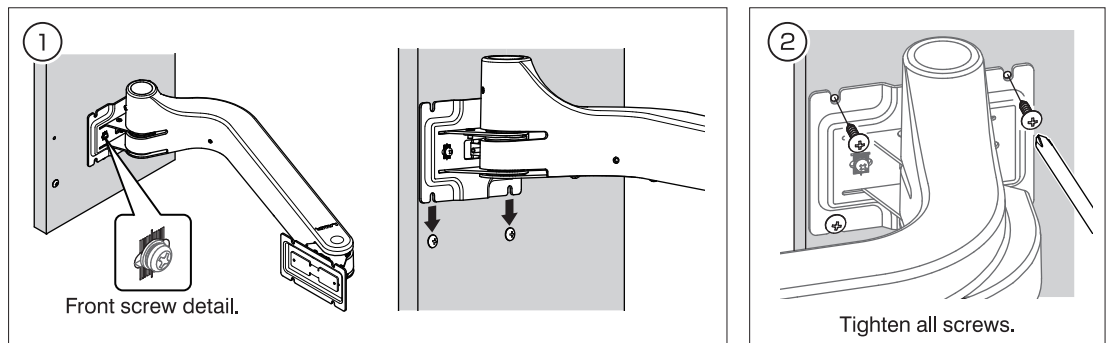
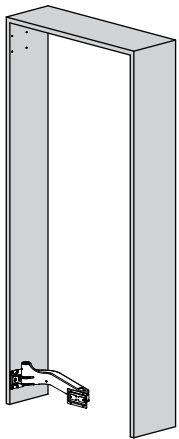
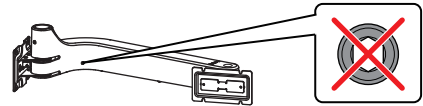
* For the installation on the aluminum side board, please refer only to the door side.



3 MOUNTING ARM (LOWER)

! Caution

⊘ Do not loosen or fasten the screw with hex-hole on the arm.



4 INSTALLATION OF CONNECTING BAR

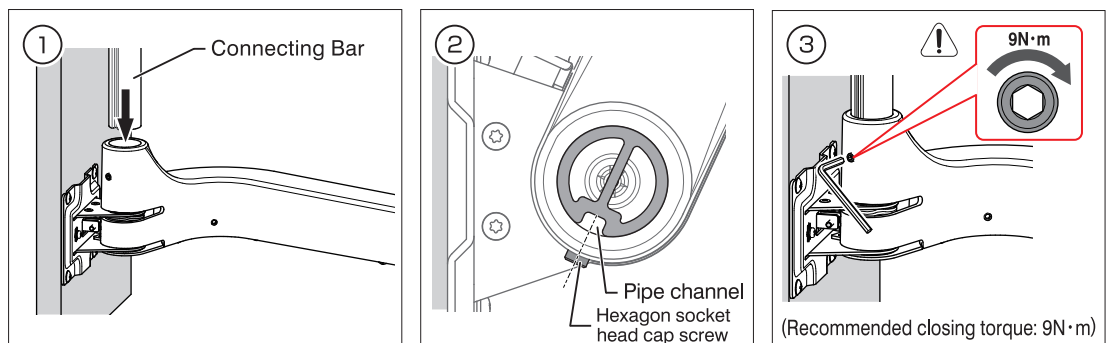
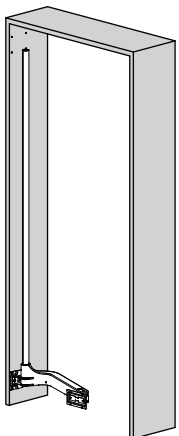
! Caution

ⓘ Support arms with hand while installing the bar to prevent unwanted load.

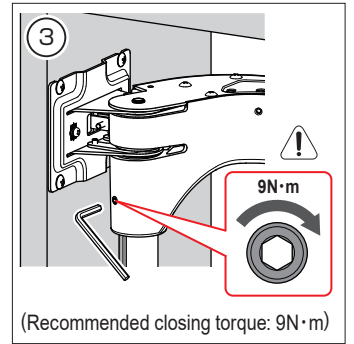
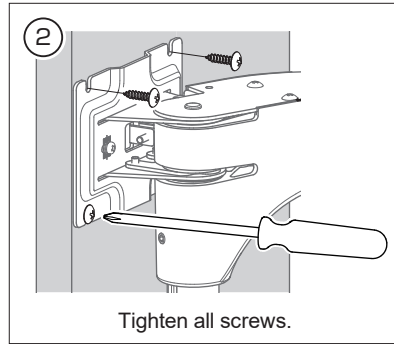
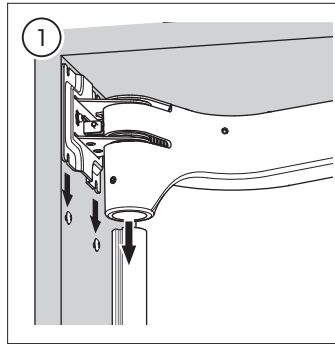
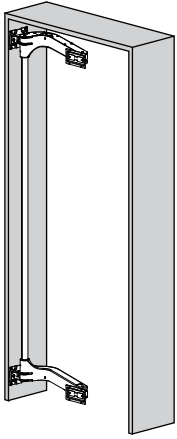


! Caution

ⓘ Please fasten the screws with the recommended closing torque before attaching the door. This is in order to prevent a gap from opening between the door and door frame.

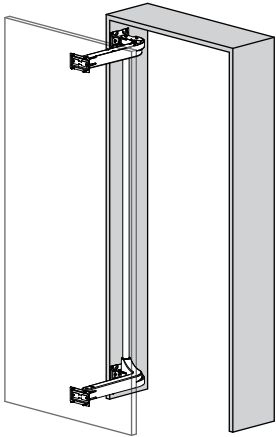


5 MOUNTING ARM (UPPER)

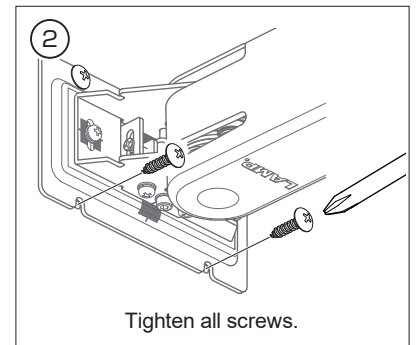
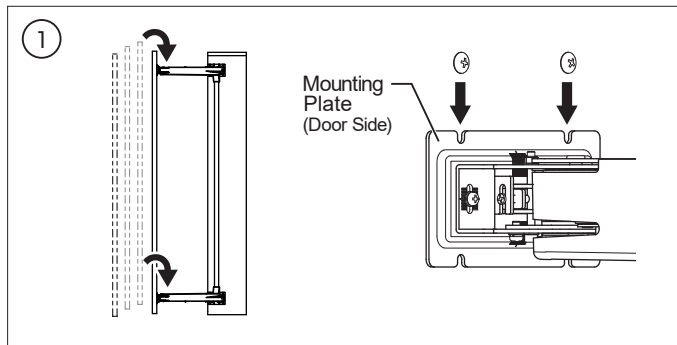


! Caution
 Please fasten the screws with the recommended closing torque before attaching the door. This is in order to prevent a gap from opening between the door and door frame.

6 INSTALLING DOOR

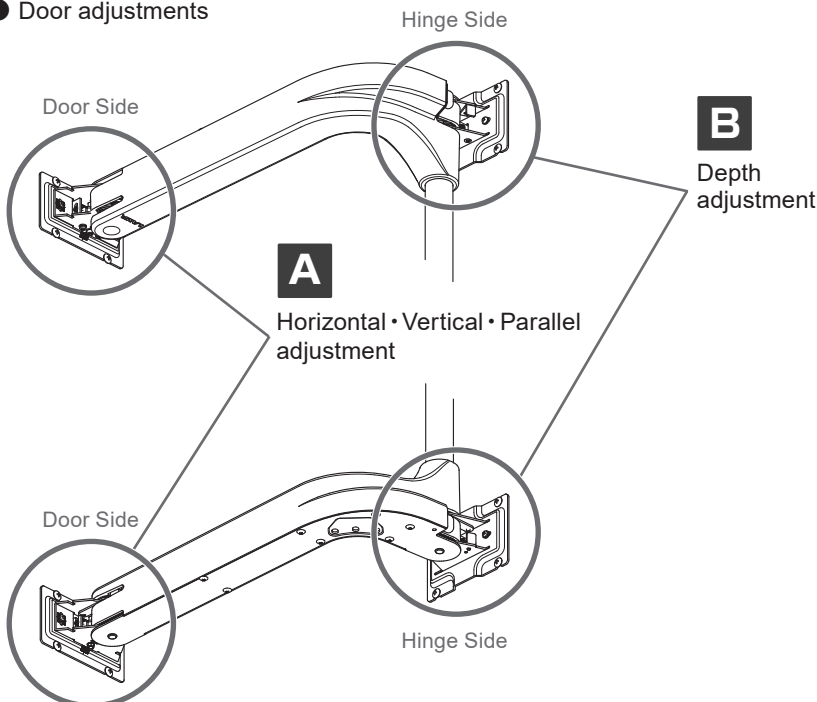


! WARNING
 We recommend that 2 people install the door in order to reduce risks of injury and damage to the door.



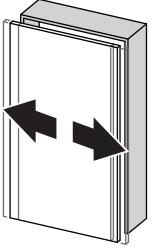
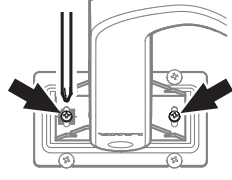
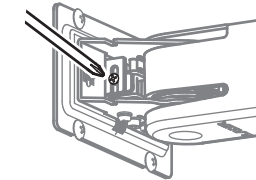
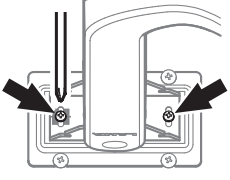
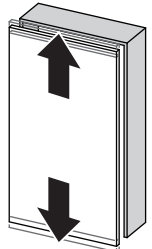
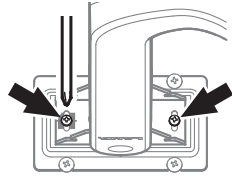
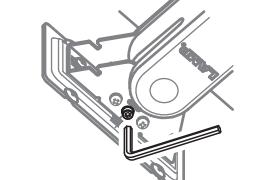
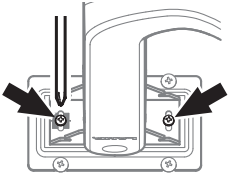
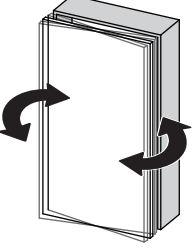

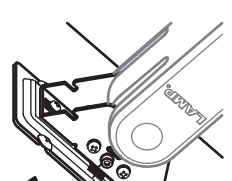
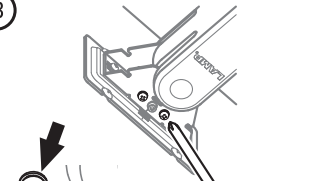
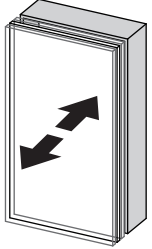
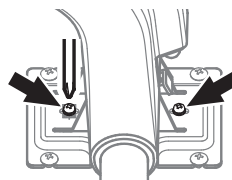
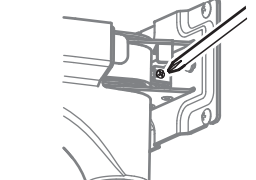
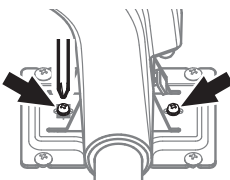
7 ADJUSTMENTS

● Door adjustments



! Caution

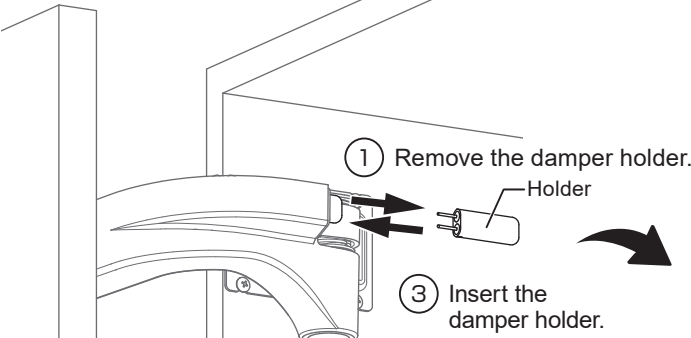
! Removing the fixing screw may result in the door falling off and injuring someone and/or damaging the door.

<p>A Horizontal adjustment ±7 [mm]</p> 	<p>①  Loosen half turn only</p> <p>② </p> <p>③  Fasten half turn only</p>
<p>A Vertical adjustment ±7 [mm]</p> 	<p>①  Loosen half turn only</p> <p>② </p> <p>③  Fasten half turn only</p>
<p>A Parallel adjustment ±3 [°]</p> 	<p>①  Loosen half turn only</p> <p>② </p> <p>③  Fasten half turn only</p>
<p>B Depth adjustment ±5 [mm]</p> 	<p>①  Loosen half turn only</p> <p>② </p> <p>③  Fasten half turn only</p>

(Recommended closing torque: 2 N·m)

● Setting of Damper Force (Adjust the door closing speed)

Changing the dampers



① Remove the damper holder.

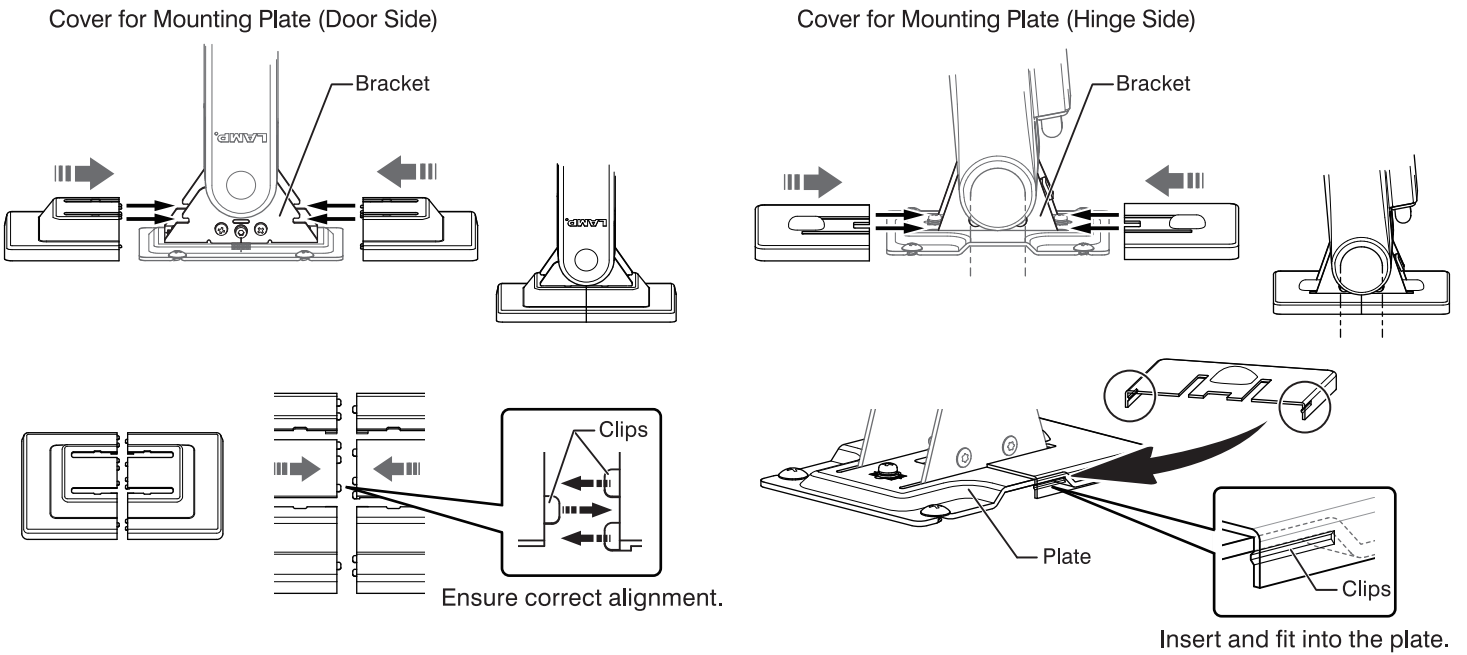
③ Insert the damper holder.

Holder	Damper Force			
	Default	3	2	1
Arm(Upper)	●	●	●	●
Arm(Lower)	●	●	⊗	⊗

② Select the dampers as per your application.

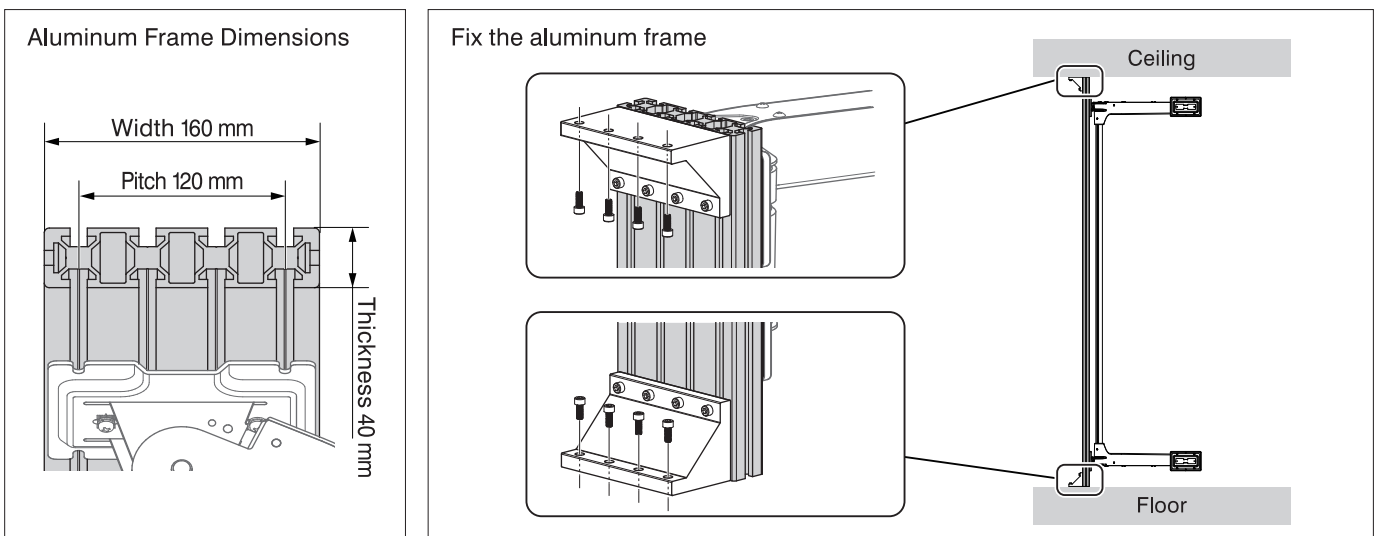
* Ensure that the dampers are inserted in the direction shown on the left.

8 INSTALL THE COVER FOR MOUNTING PLATE

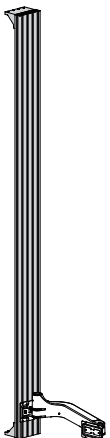


ALUMINUM FRAME SIDE BOARD

9 INSTALL ON THE ALUMINUM FRAME

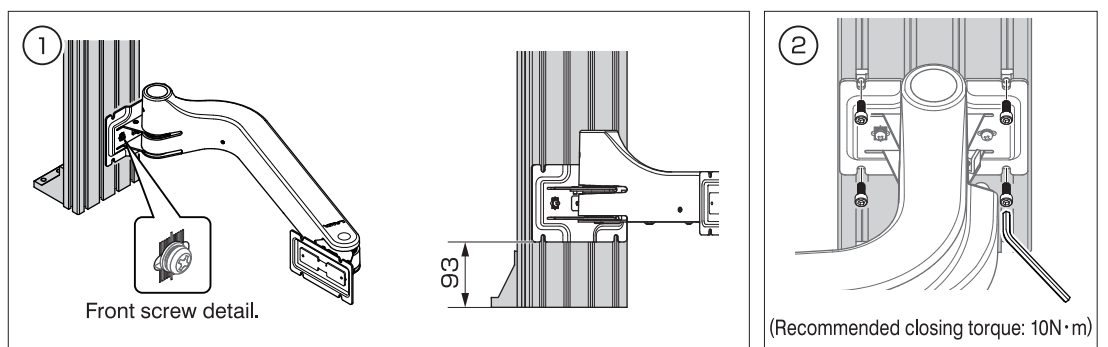
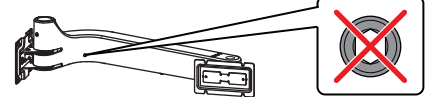


10 MOUNTING ARM (LOWER)



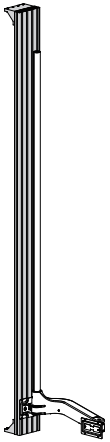
Caution

- Do not loosen or fasten the screw with hex-hole on the arm.



* Screw (M6×12) not included.

11 INSTALLATION OF CONNECTING BAR

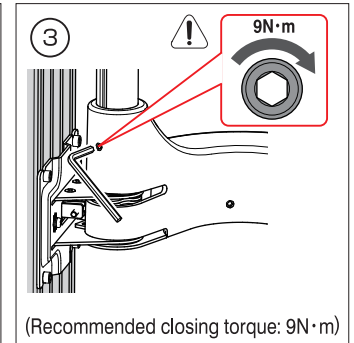
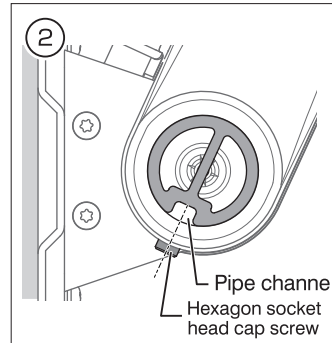
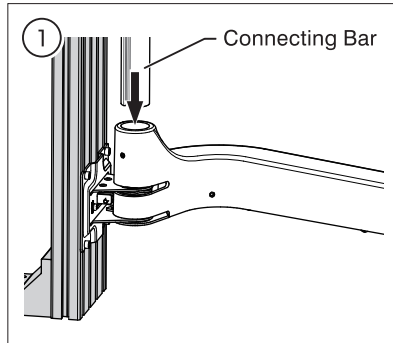


⚠ Caution

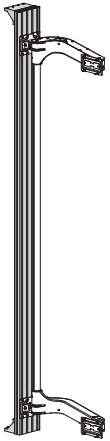
❶ Support arms with hand while installing the bar to prevent unwanted load.

⚠ Caution

❶ Please fasten the screws with the recommended closing torque before attaching the door. This is in order to prevent a gap from opening between the door and door frame.

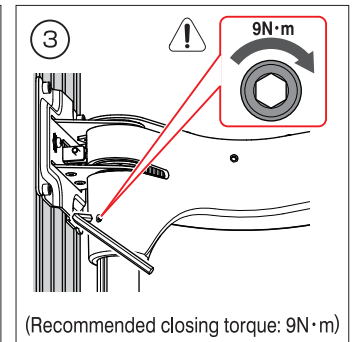
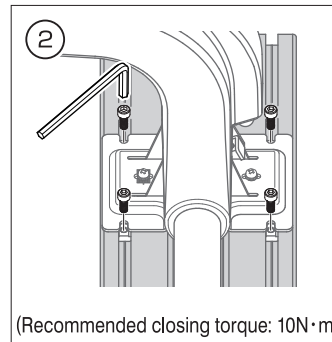
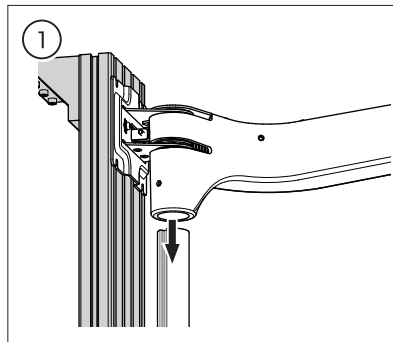


12 MOUNTING ARM (UPPER)



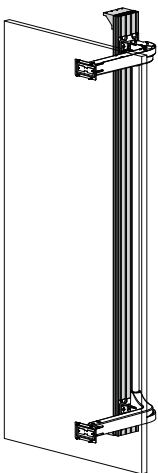
⚠ Caution

❶ Please fasten the screws with the recommended closing torque before attaching the door. This is in order to prevent a gap from opening between the door and door frame.



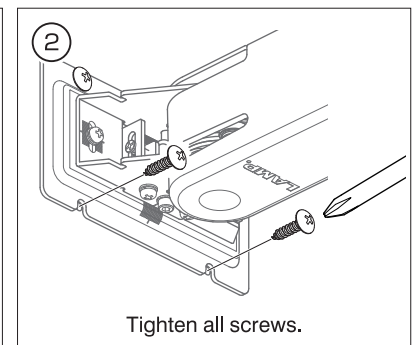
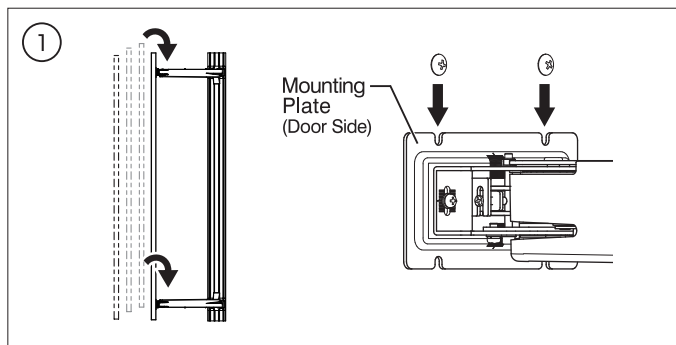
* Screw (M6×12) not included.

13 INSTALLING DOOR



⚠ WARNING

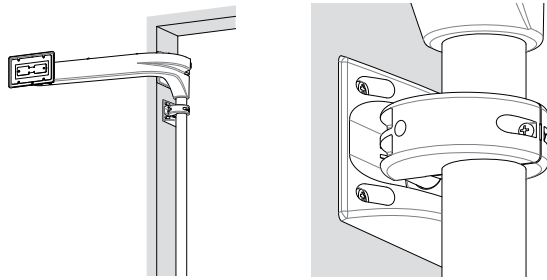
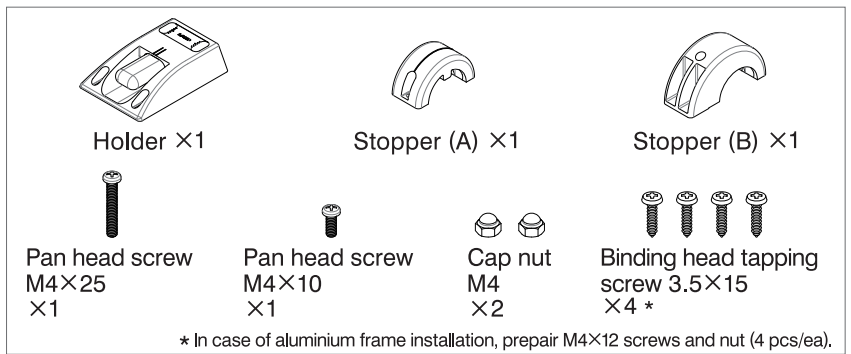
❶ We recommend that 2 people install the door in order to reduce risks of injury and damage to the door.



● For the adjustment and installation of the cover, please refer to **7** and **8**.

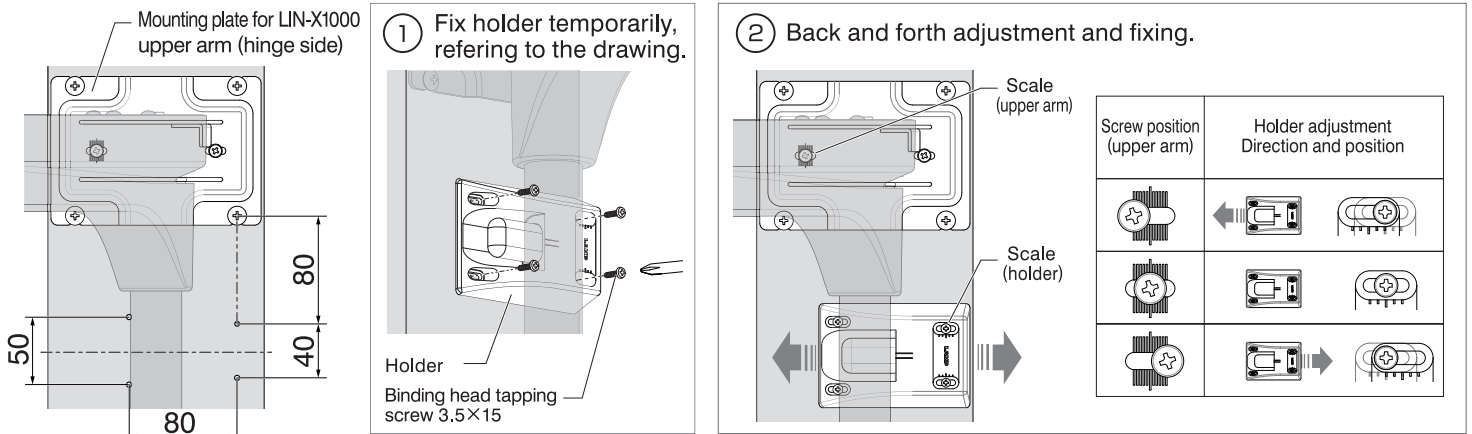
[OPENING DAMPER] INSTALLATION PROCEDURE

● COMPONENT PARTS

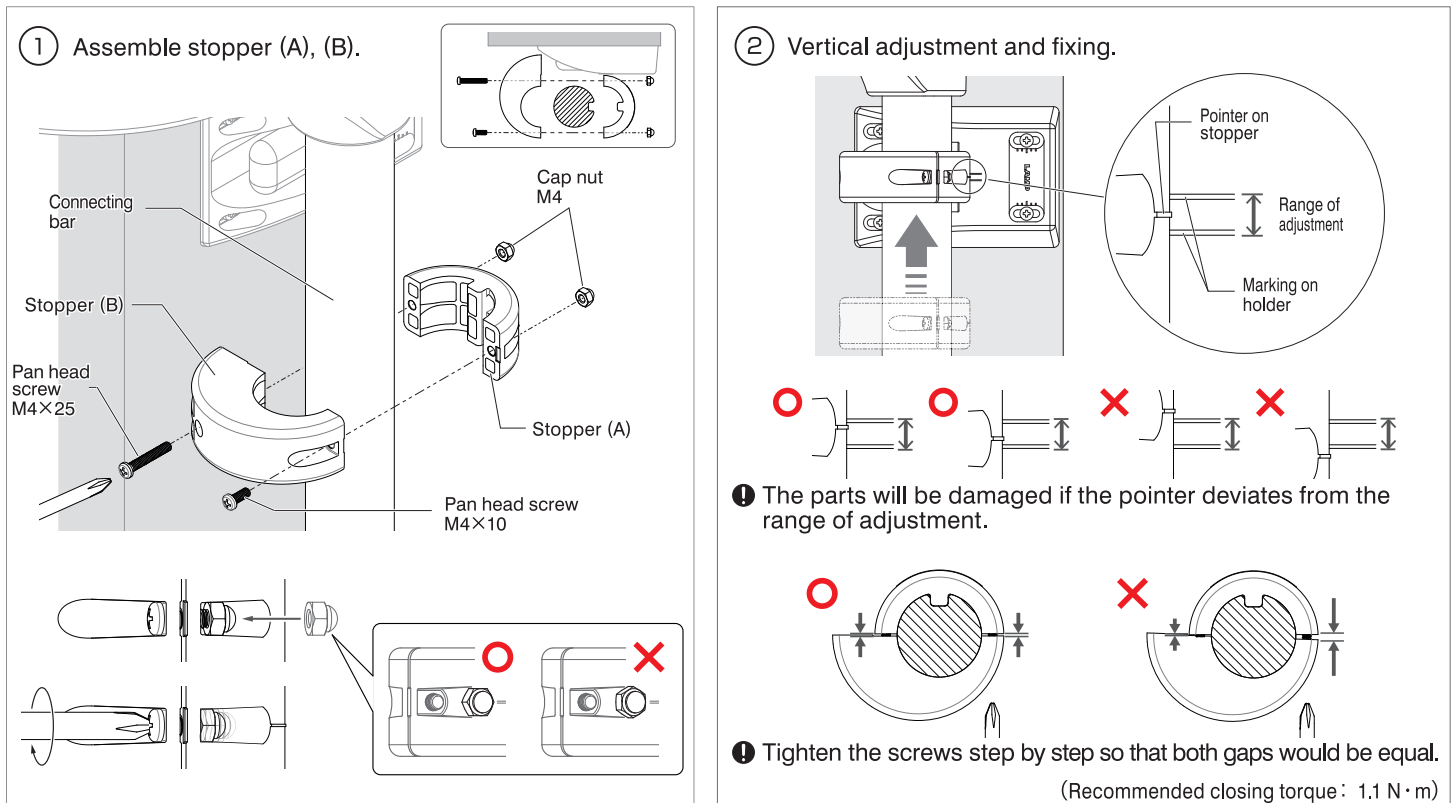


This drawing shows the left handed opening type. Installation for right handed opening is symmetrically opposite.

1 Assembling Holder



2 Assembling Stopper



SUGATSUNE KOGYO CO.,LTD
Tokyo, JAPAN
Phone: +81 (0)3 3866 2260 E-mail:export@sugatsune.co.jp

SUGATSUNE KOGYO (UK) LTD
Reading, UK
Phone: +44 118 9272 955 E-mail:sales@sugatsune.co.uk

SUGATSUNE EUROPE GmbH
Düsseldorf, GERMANY
Phone: +49 211 53812900 E-mail:sales@sugatsune.eu
ISO9001(Japan Offices and Sugatsune America) and ISO14001(Chiba Production division and Logistics center), certified.

SUGATSUNE SHANGHAI Co., LTD
Shanghai, CHINA
Phone: +86 21 3632 1858 E-mail:lamp@sugatsune.com.cn

Guangzhou, CHINA
Phone: +86 20 6639 3552 E-mail:lamp@sugatsune.com.cn

SUGATSUNE KOGYO INDIA PRIVATE LIMITED
Mumbai, INDIA
Phone: +91 22 28314490/91 E-mail:sales@sugatsune.in

SUGATSUNE AMERICA, INC
California, USA
Phone: +1 310 329 6373 E-mail:sales@sugatsune.com

Chicago, USA
Phone: +1 312 461 1081 E-mail:chicagoshowroom@sugatsune.com

SUGATSUNE CANADA, INC.
Phone: +1 514 312 5267 E-mail:support@sugatsune.ca