
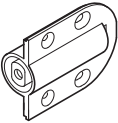
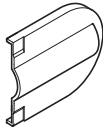



# LAMP® HG-JHM20 DAMPER HINGE INSTALLATION INSTRUCTIONS (For wood use.)

**Read instructions thoroughly before installation.**

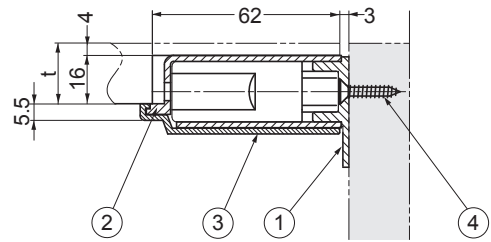
- Caution :**
- For indoor use only.
  - Not water resistant.
  - Do not use in high temperature environment.

## PARTS :

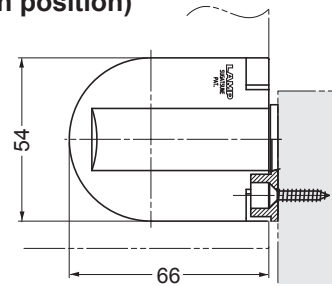
No.	Part Name	Qty.	
①	Bracket	L/R 1 each	
②	Body	L/R 1 each	
③	Cover	2	
④	Screw (4×20)	12	

## Installation Diagram

(Lid, closed position)



(Lid, 90° open position)



Item	Cover color	Damper Torque N·m (kgf·cm)
HG-JHM20-80BL	Black	6 - 8
HG-JHM20-80WT	White	(61.2 - 81.6)

## Maximum Torque Moment Calculations

$$T = m \times 9.8 \times L$$

T : Maximum lid torque (N·m)

m : Lid weight (kg)

L : Distance from rotation centre to lid centre of gravity (m)

$$L = D/2 - A$$

D : Lid length (m)

A : Length of lid back from rotation centre (m)

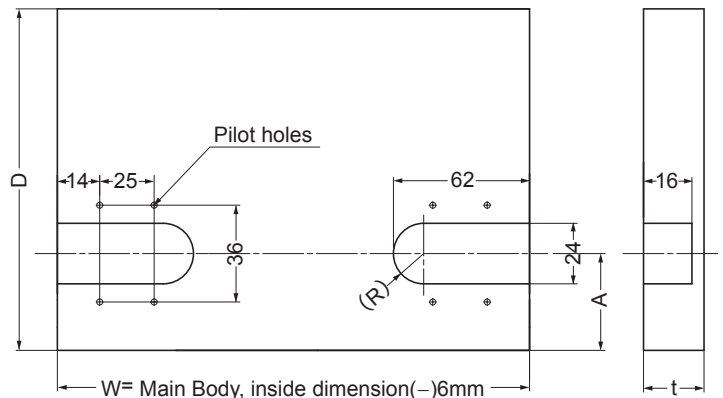
(Dimension A = 34~38 mm)

(Calculation example)

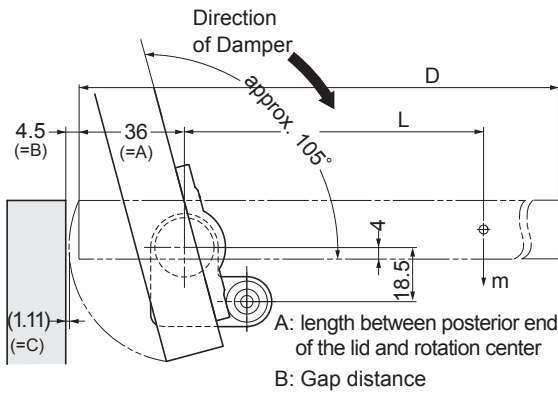
When D = 0.45 m, A = 0.036 m, m = 4.32 kg

$$T = 4.32 \times 9.8 \times (0.45 / 2 - 0.036) \doteq 8 \text{ N} \cdot \text{m}$$

## Lid Preparation



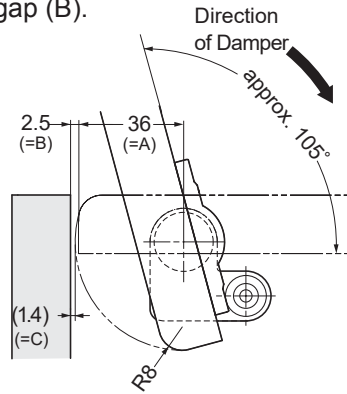
## Standard Installation Specifications



- Above example shows the lid of 20 mm thickness.
- Make sure that the gap C when the lid is open is 1 mm or more.

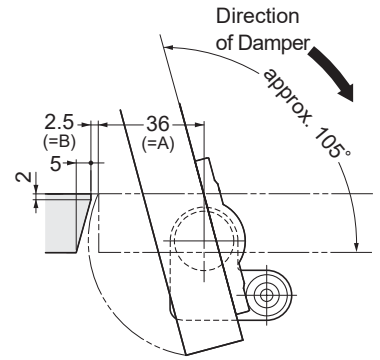
## Rounded Lid Edge

Rounded back edge reduces the gap (B).



## Tilted cut

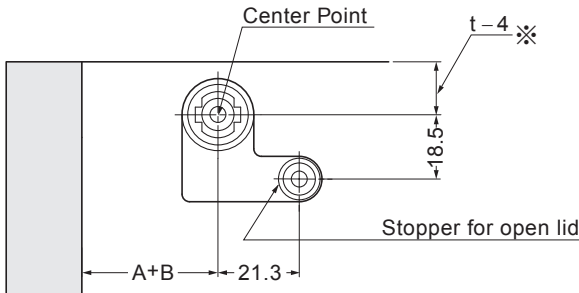
Tilted cut reduces the gap (B).



## Installation

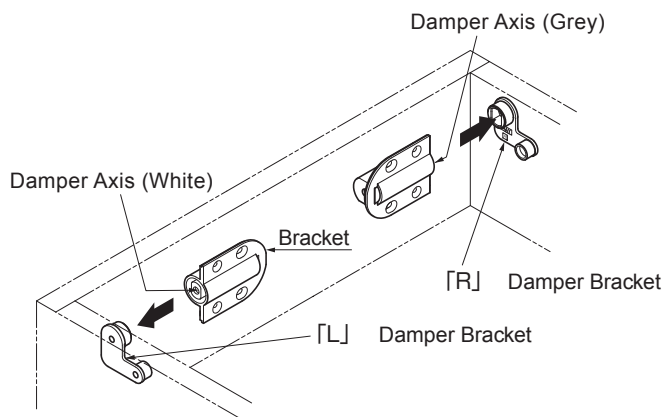
### 1. Mounting Plate Installation

- (1) Please drill 10 mm hole of 2.5 mm diameter as shown.
- (2) Fix location of mounting plate ① with provided screws. ④



※ : Given dimension when the upper part of lid and side panel are flash.

### 2. Bracket Assembly

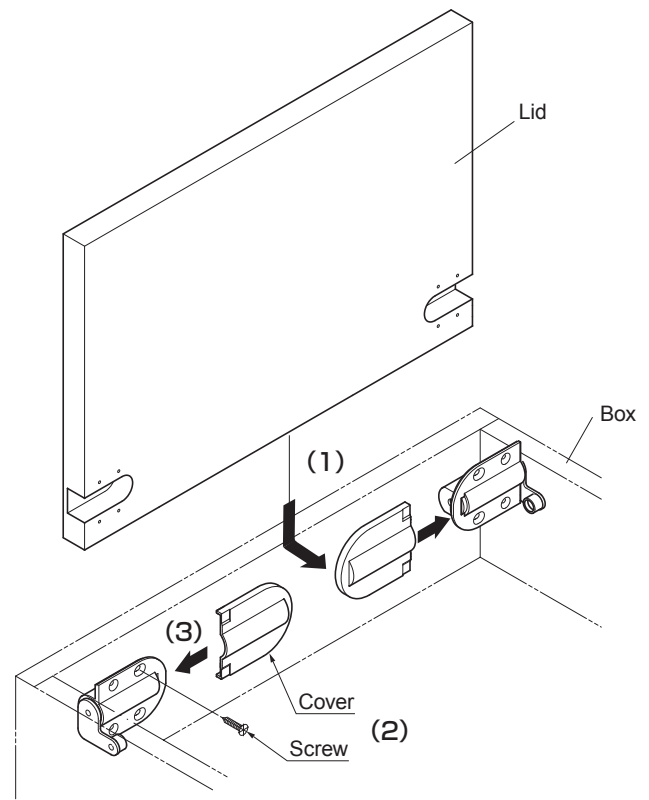


Damper Bracket [L] : Damper Axis Color - White  
 Damper Bracket [R] : Damper Axis Color - Grey

### 3. Lid and Bracket Cover Installation

(Refer to diagram below.)

- (1) Insert the lid vertically and mount onto brackets. ②
- (2) Fix with provided screws. ④  
Close and open lid to check working damper.
- (3) Slide covers onto brackets.



SUGATSUNE KOGYO CO., LTD.  
 Tokyo, JAPAN  
 Phone: +81 3 3866 2260  
 E-mail: export@sugatsune.co.jp

SUGATSUNE KOGYO (UK) LIMITED  
 Reading, UK  
 Phone: +44 1189 272 955  
 E-mail: sales@sugatsune.co.uk

SUGATSUNE EUROPE GmbH  
 Düsseldorf, GERMANY  
 Phone: +49 211 53812 900  
 E-mail: sales@sugatsune.eu

SUGATSUNE AMERICA, INC.  
 California, USA  
 Phone: +1 310 329 6373  
 E-mail: sales@sugatsune.com

Chicago, USA  
 Phone: +1 630 317 7072  
 E-mail: sales@sugatsune.com

SUGATSUNE CANADA, INC.  
 Montreal, CANADA  
 Phone: +1 514 312 5267  
 E-mail: support@sugatsune.ca

SUGATSUNE SHANGHAI CO., LTD.  
 Shanghai, CHINA  
 Phone: +86 21 3632 1858  
 E-mail: lamp@sugatsune.com.cn

Guangzhou, CHINA  
 Phone: +86 20 6639 3554  
 E-mail: lamp@sugatsune.com.cn

SUGATSUNE KOREA CO., LTD.  
 Incheon, KOREA  
 Phone: +82 32 220 0603  
 E-mail: sales@sugatsune-korea.co.kr

SUGATSUNE KOGYO INDIA  
 PRIVATE LIMITED  
 Mumbai, INDIA  
 Phone: +91 9867299597  
 E-mail: sales@sugatsune.in  
 Delhi, INDIA  
 Phone: +91 9867299597  
 +91 11 45093636  
 E-mail: sales@sugatsune.in