

**LAMP****HES**  
Hinge Expert**INSTALLATION MANUAL****FOR HES3D-90 CONCEALED HINGE**

Thank you for using our product. Before installation, please read this manual thoroughly to ensure correct installation. Please keep this manual at hand for future reference.

**ABOUT THE PRODUCT**

- This product is a concealed hinge for furniture to be recessed in the cut out on door and side board.
- Three dimensional adjustment function allows vertical, horizontal, and depth adjustment.

**DOOR SPECIFICATIONS**

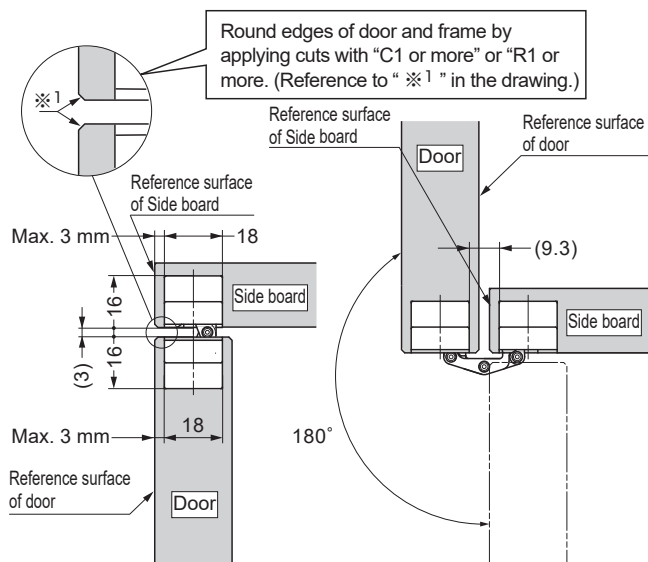
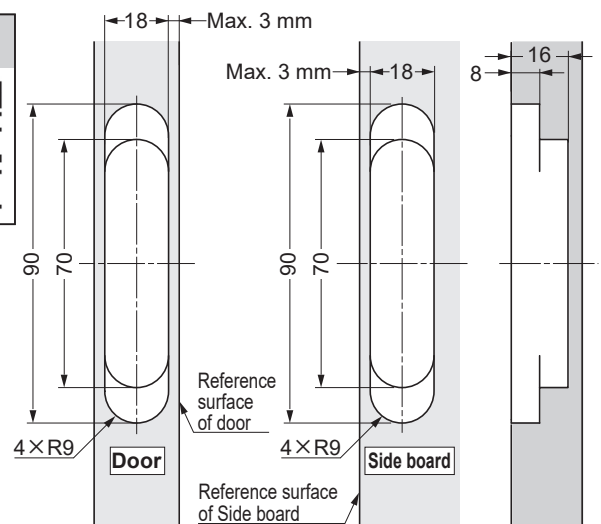
Min. Door thickness	23 mm
Max. Door weight	12 kg per 2 hinges, 16 kg per 3 hinges
Max. Door size	Width: 600 mm, Height: 1500 mm

**FOR YOUR SAFE WORK AND CORRECT INSTALLATION****Meaning of symbols**

 <b>Warning</b> Caution	 <b>Prohibited</b>	 <b>Required</b>
--	---	---

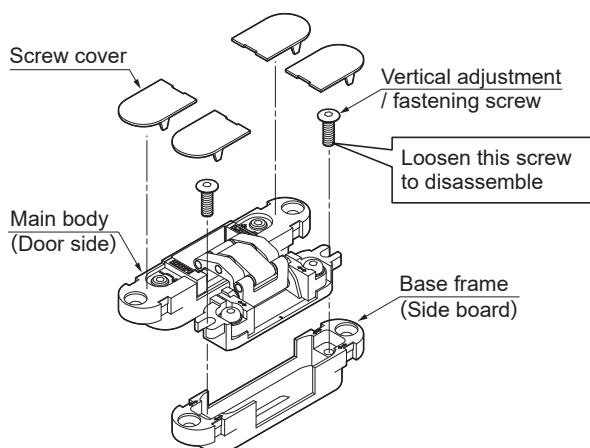
**⚠ Caution:** If not followed, injury or damage may result.

- ⚠ Provide a cabinet that can withstand the weight and impact of opening and closing the door. Be sure to use the specified screws and tighten them securely. If the mounting strength is insufficient, the door may fall and cause injury.
- ⊘ Do not use this product for any other purpose, or with doors that are outside the specifications of this manual.
- ⊘ Use in conjunction with door damper (except DC-200) or stay is not recommended.
- ⚠ Follow the specified dimensions, specifications, and alignment of the cabinet. Warping, tilting or twisting of the cabinet or door may cause failure.
- ⚠ This product is a part for furniture. After installation, please check the function and safety of the final product. Please inform the end user how to use the product safely.
- ⚠ Make sure to check the screws for slack at regular intervals (one month from first usage, half a year, and then one time every year is recommended).

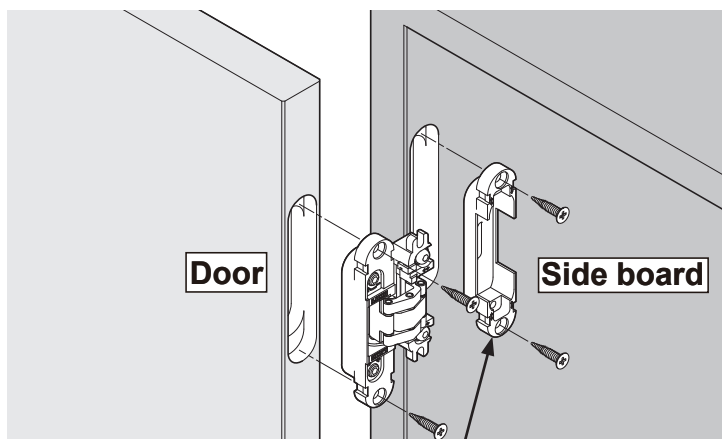
**INSTALLATION DRAWING (EXAMPLE)****CUT OUT DRAWING FOR DOOR AND SIDE BOARD**

# INSTALLATION PROCEDURE

## 1 Disassembly of Hinge

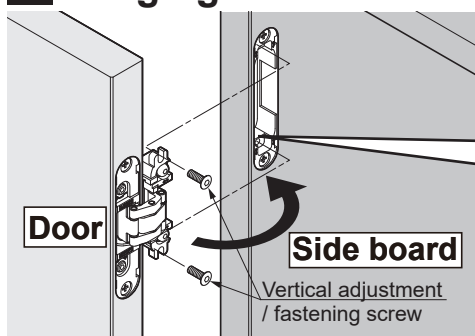


## 2 Installing Hinge to Door and Cabinet



**Caution**  
 Before installing base frame into the cabinet, check that it is oriented correctly. If the orientation is incorrect, the door cannot be installed.

## 3 Hanging Door



- [1] Insert each hinge body (side board) deep into the base frame.
- [2] Hang the hinge body on the base frame. (Provisional holding state).

### Caution

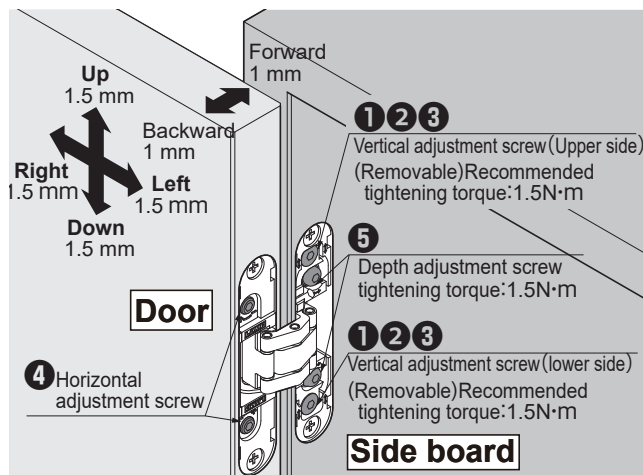
- Do not move the door at this stage as it may fall off.
- [3] While supporting the door, quickly tighten.

VIDEO LINK



## ADJUSTING DOOR POSITION

The arrows should point in the direction of adjustment when the door is closed.



①—⑤ is the order of adjustment. Please put a supporting spacer under the door when adjusting it. There are two adjustment screws on one hinge.

### Vertical adjustment

- ① Loosen the adjusting screw one turn.
- ② Lifted the door to the correct height.
- ③ Finally, secure the adjusting screw.

### Horizontal adjustment

- ④ Rotate the adjustment screw to the correct position.

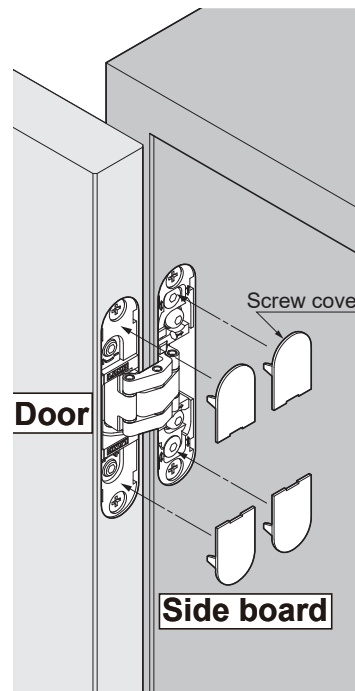
### Depth adjustment

- ⑤ Rotate the adjustment screw to the correct position.

### Caution

- When adjusting the horizontal position, turn the two screws a little, by the same amount. The hinge may be broken if you keep turning one screw only. If you turn the adjustment screw to the right beyond the adjustment range, the parts will protrude, and the cover won't fit, and if you turn it further, the door will come off.
- Tighten adjustment screws within the tightening torque so as not to damage the screws.
- Do not remove the depth adjustment screw. The door may fall and cause injury.

## Attaching the Screw Cover



**SUGATSUNE KOGYO CO.,LTD**  
 Tokyo, JAPAN  
 Phone: +81 (0)3 3866 2260 E-mail:export@sugatsune.co.jp

**SUGATSUNE KOGYO (UK) LTD**  
 Reading, UK  
 Phone: +44 118 9272 955 E-mail:sales@sugatsune.co.uk

**SUGATSUNE EUROPE GmbH**  
 Düsseldorf, GERMANY  
 Phone: +49 211 53812900 E-mail:sales@sugatsune.eu

**SUGATSUNE SHANGHAI Co., LTD**  
 Shanghai, CHINA  
 Phone: +86 21 3632 1858 E-mail:lamp@sugatsune.com.cn

**Guangzhou, CHINA**  
 Phone: +86 20 6639 3552 E-mail:lamp@sugatsune.com.cn

**SUGATSUNE KOGYO INDIA PRIVATE LIMITED**  
 Mumbai, INDIA  
 Phone: +91 22 28314490/91 E-mail:sales@sugatsune.in

**SUGATSUNE AMERICA, INC**  
 California, USA  
 Phone: +1 310 329 6373 E-mail:sales@sugatsune.com

**Chicago, USA**  
 Phone: +1 630 317 7072 E-mail:sales@sugatsune.com

**SUGATSUNE CANADA, INC.**  
 Phone: +1 514 312 5267 E-mail:support@sugatsune.ca