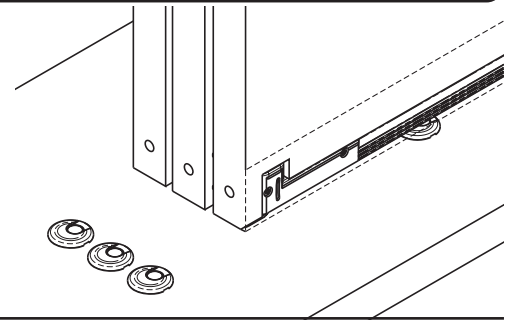


LAMP® FD30-MG MAGNET FLOOR GUIDE INSTALLATION MANUAL

Thank you for selecting our product. Before starting installation, please read this manual thoroughly to ensure correct installation.

ABOUT THE PRODUCT

- This product is a floor guide for a ceiling mounted sliding door. The lower guide pin installed on the floor prevents excessive vibration of the sliding door.
- This product adjusts to the appropriate height of the magnet.



FOR YOUR SAFE WORK AND CORRECT INSTALLATION

⚠ WARNING: If this warning is not followed, death or serious injury may result.

- ❗ High-power Neodymium magnets are used. Neodymium magnets affect pacemakers. Keep any pacemakers more than 30 cm away from the leading edge of the bottom side of the door during installation or operation.

※The magnet may affect other medical electronic devices. Please check with the manufacturer for details.

Meaning of symbols



⚠ Caution: If not followed injury or damage may result.

- ❗ Please clean around the guide pin periodically, to prevent improper operation due to dust or dirt.
- ❗ If liquid such as juice is spilled over the guide pin, causing improper operation of guide pin, pull up guide pin and wipe clean with wet cloth.
- ❗ When cleaning floor with wax or solvent, avoid wax entering into the guide pin (to avoid poor operation).
- ❗ When the magnet contact face is contaminated, remove foreign material, to prevent defective operation.
- ❗ This product is designed for use on wood floors with thickness of more than 12mm. It is not possible to install on concrete or mortar floors. Also, soft floors such as padded floors must be avoided.


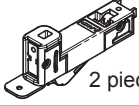
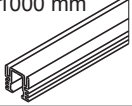

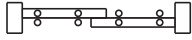
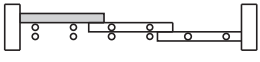
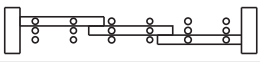
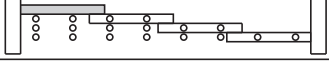
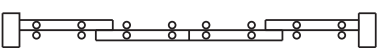
- ⚠ The guide pin may produce noise when sliding the door.
- ❗ If the guide pin is protruding, push back manually to prevent injury. Determine the cause and correct it.
- ⊘ Do not operate the door with excessive force or shock. Such operation may cause accident or injury.
- ⊘ Use recessed handle for the door. Do not use a bar handle as shown to the right.
- ❗ When removing the door, the guide pin should be fully removed from the door. If not removed damage to the door or injury may result.
- ❗ This product is designed for normal homes. Do not install it in public facilities.

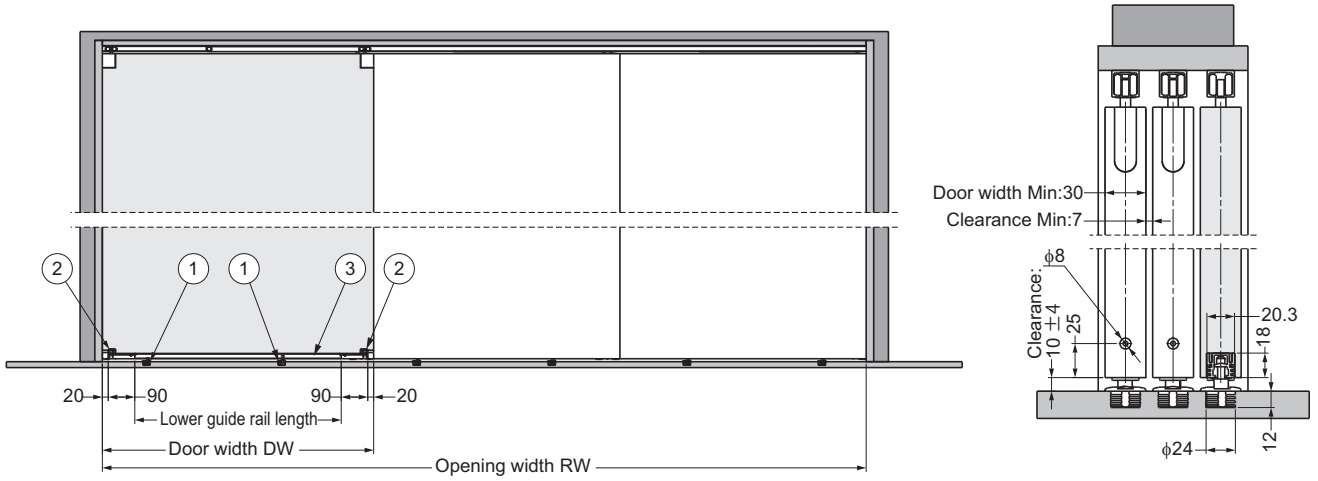


SPECIFICATIONS

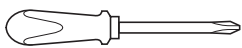
Sliding door specification	Door width	Door height	Door thickness	Door weight	Door bottom-to-floor space	Floor thickness
Ceiling-mount sliding door	590 ~ 1000 mm	Max. 2500 mm	Min. 30 mm	Max. 40 kg/door	10 mm(±4 mm)	Min. 12 mm

PARTS DETAIL

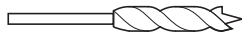
PARTS	① Lower guide pin	② Magnet guide support	③ Lower guide rail	④ Spanner
			 2 pieces	Length: 1000 mm 
ATTACHED SCREW	Phillips pan head tapping screw 3x14 (2)	Phillips countersunk head tapping screw 3x12 (2)	Phillips pan head tapping screw 3x16 (4)	-
Types of Door Application	Quantity			
Single sliding door 	4	1 set	1	1
Double sliding door 	8	2 set	2	1
2-door sliding 	10	2 set	2	1
Triple sliding door 	18	3 set	3	1
3-door sliding 	18	3 set	3	1
4-door sliding 	16	4 set	4	1



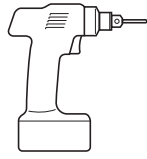
TOOL REQUIRED FOR INSTALLATION



Philips head driver: #2



Wood drill: $\phi 24$



Electric drill

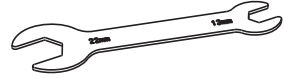


Plumb



Machine or tool for cutting aluminum alloy

Lower guide pin adjustment tool



Spanner 22 mm
Order code: 250-022-252
Part No.: FD80-HHSP

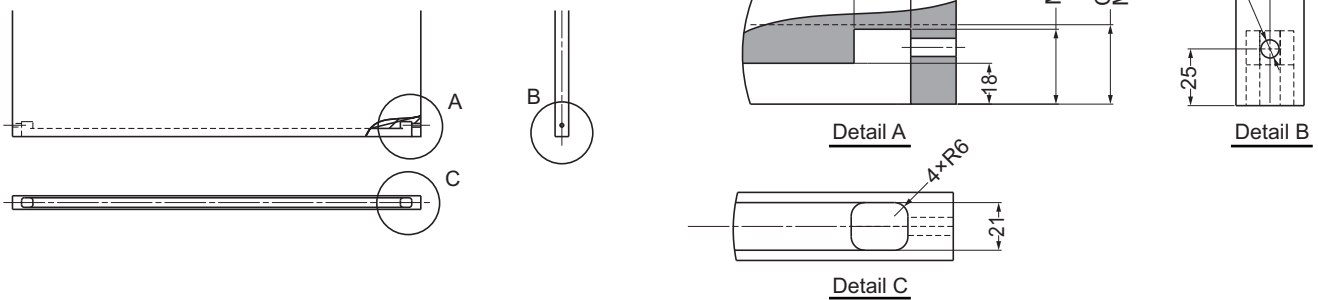
INSTALLATION PROCEDURE

Before installation, confirm:

- Door dimensions
- Door is not warped
- Frame and floor are not inclined
- Quantity of parts
- Correct processing of door and floor

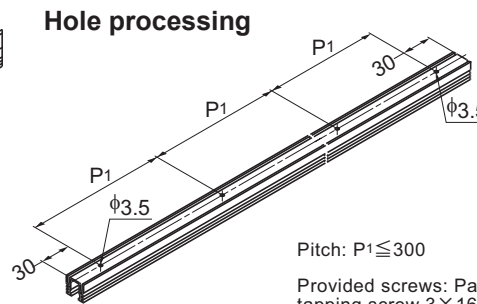
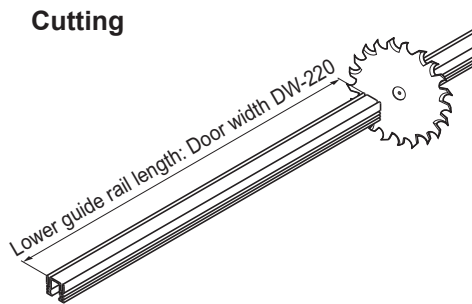
1 Installing track and guide support

[1] Door processing



[2] Cutting and processing of lower guide rail hole

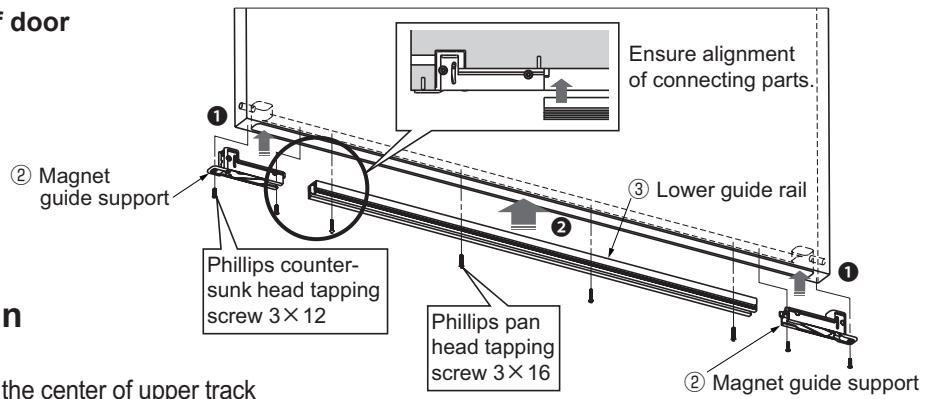
Be careful not to deform the track. Cut surfaces must be clean with all burrs and chips removed.



Pitch: $P1 \leq 300$

Provided screws: Pan head tapping screw 3 X 16 4pcs

[3] Mounting parts to bottom of door



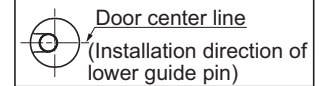
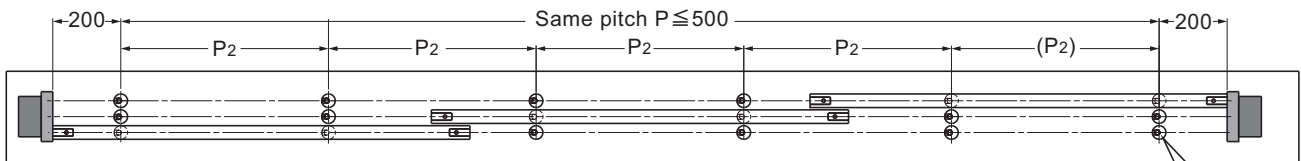
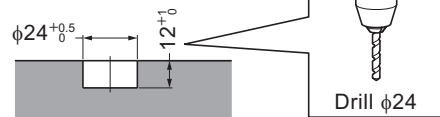
2 Mounting lower guide pin

[1] Hole processing

Position the guide pins just below the center of upper track with a plumb.

Caution
Guide pin mount holes should be vertical. After processing the holes, remove chips.

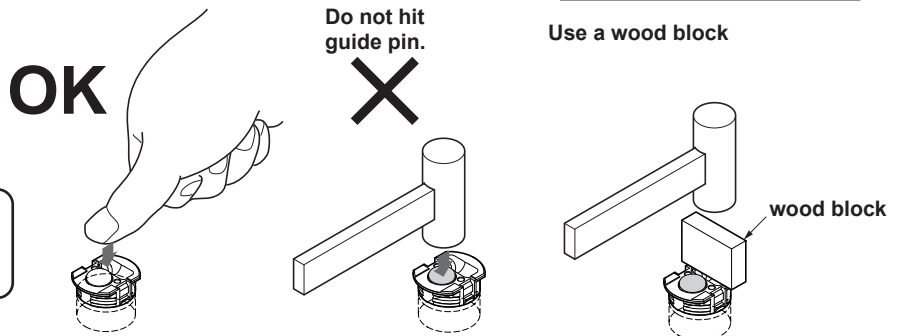
Process dimensions



[2] Mounting

In this stage, do not fix screws. (to be fixed in procedure 5 - [2]).

Caution
The guide pin is likely to be damaged if hit with a hammer. If you have difficulties inserting the pin, use a wood block.



3 Door Installation

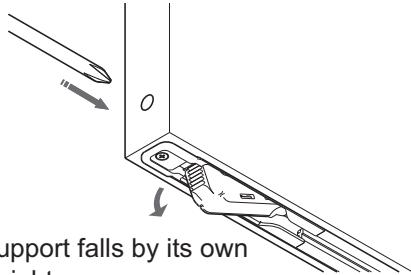
Install the door while referring to its installation manual. Set the clearance between the floor and the bottom of the door. in the range of 10 mm \pm 4 mm.

4 Adjusting

[1] Setting height of magnet guide support

(1) Lowering magnet guide support.

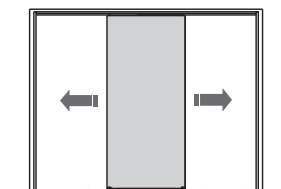
1 Insert a screwdriver or something similar.



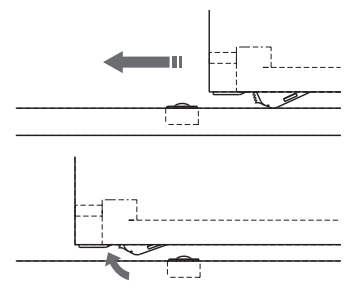
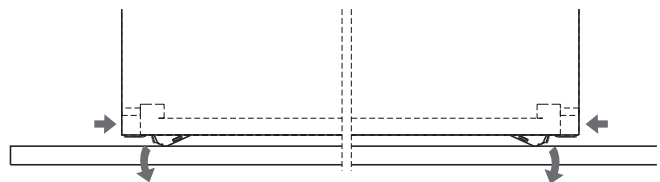
2 Support falls by its own weight.

(2) Automatic setting

Slide the door past the floor guide, this will set the height of the guide pin supports automatically.



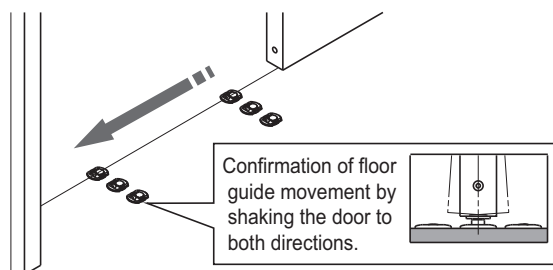
Carry out this procedure for every magnet guide support.



5 Confirming floor guide function and positioning of lower guide pin

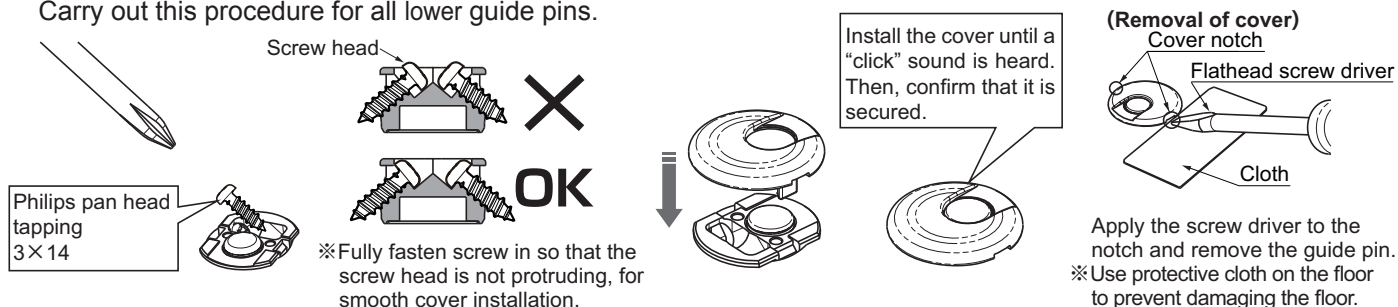
[1] Confirming floor guide movement

Slowly slide the door to make it pass over the lower guide pins, for confirmation. When sliding the door in both directions, the lower guide pin should be attracted by the magnet guide support and be drawn inside of the door guide track. Confirm this movement. If the above movement is not confirmed, adjust the lower guide pin main unit direction, using a spanner (22 dia.).



2. Fixing the lower guide pin

After adjusting the lower guide pin direction, fix the lower guide pin to the floor with the two provided Phillips pan head screws 3×14. After fixing the pin, insert the cover to the lower guide pin until a click-sound is heard. Carry out this procedure for all lower guide pins.



TROUBLESHOOTING

Trouble	Check	Solution
No response of lower guide pin during sliding	Check if dust is caught in the lower guide pin.	Dust or dirt on guide pin causes poor function the guide pin. Raise pin by finger and remove dust or dirt.
	Check that the magnet support height was adjusted correctly.	Set the height of the magnet guide support, refer to [Procedure 4 Adjustment].
	Check if clearance between the bottom of the door and the floor is set correctly.	When the clearance becomes outside of the specified range (10mm±4mm), the door height must be adjusted.
Lower guide pin functions, but pin will not enter into the track.	Check that the lower guide pin position was adjusted correctly according to the procedure.	Determine the lower guide pin position, refer to [Procedure 5 Confirming floor guide function and positioning of lower guide pin].
	Check if absorbing section of magnet guide support catches foreign matter.	Remove foreign matter.
*1 Door meanders during operation	Check that the lower guide pin position is correct.	Readjust the lower guide pin position, refer to [Procedure 5 Confirming floor guide function and positioning of lower guide pin].
*2 Door is derailed.	Check that the door is not being guided by an adjacent door guide.	Return the door to the correct guide, refer to the center illustration below.
*3 Precautions when removing the door	Confirm that the lower guide pin is pulled out from door.	Remove the metal mounted to the ceiling. Pull out the guide pin from the door, refer to the right illustration below.

