

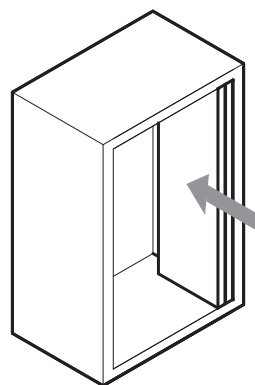
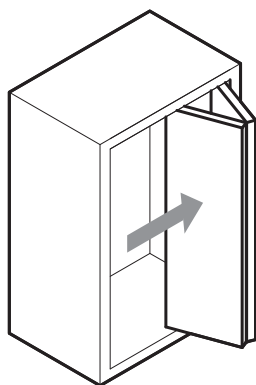
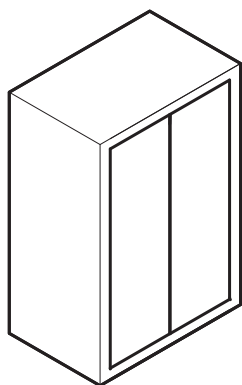
Installation Manual

LAMP®

ALT-F

FOLDING POCKET DOOR SYSTEM (INSET)

Thank you for using our product. Before installation, please read this manual thoroughly to ensure correct installation. Please keep this manual at hand for future reference.



ABOUT THE PRODUCT

- Pocket door hardware for folding door systems.
- The folding door can be stored inside shallow cabinets.

SPECIFICATIONS

	2 Rail System	3 Rail System
Max. door width	450 mm / door	
Max. door height	1830 mm	1831 - 2400 mm
Door thickness	23 - 30 mm	
Max. door weight	10 kg / door	

FOR YOUR SAFETY AND CORRECT INSTALLATION



**Warning
Caution**



Prohibited



Required

Warning :If not followed, death or serious injury may result.



• Provide a cabinet that can withstand the weight and impact of opening and closing the door. Be sure to use the specified screws and tighten them securely. If the mounting strength is insufficient, the door may fall and cause injury.



- Do not use this product for any other purpose, or with doors that are outside the specifications of this manual.
- Do not disassemble or modify any parts other than those described in this document.

Caution :If not followed, injury or damage may result.

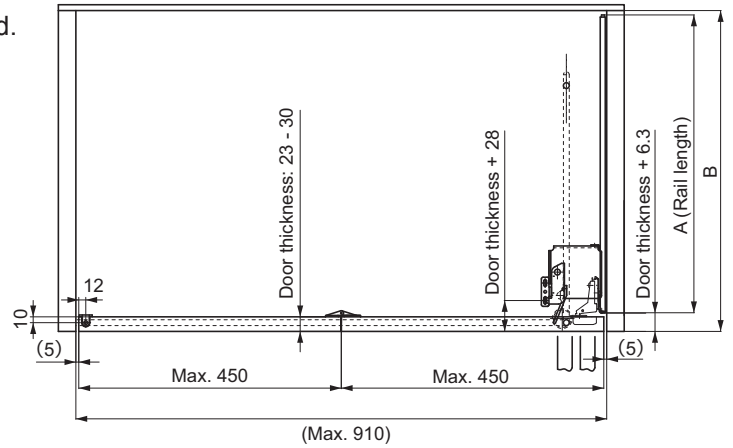


- This product should be installed by a qualified person in accordance with this manual. If it is not installed correctly, the door may fall and cause injury.
- Follow the specified dimensions, specifications, and alignment of the cabinet. Warping, tilting or twisting of the cabinet or door may cause failure.
- If cutting any parts, make sure to remove any burrs before installation. Also check the upper track for any left-over burrs or scraps and remove these.
- This product is a part for furniture. After installation, please check the function and safety of the final product. Please inform the end user how to use the product safely.
- Make sure to check the screws for slack at regular intervals (one month from first usage, half a year, and then one time every year is recommended).

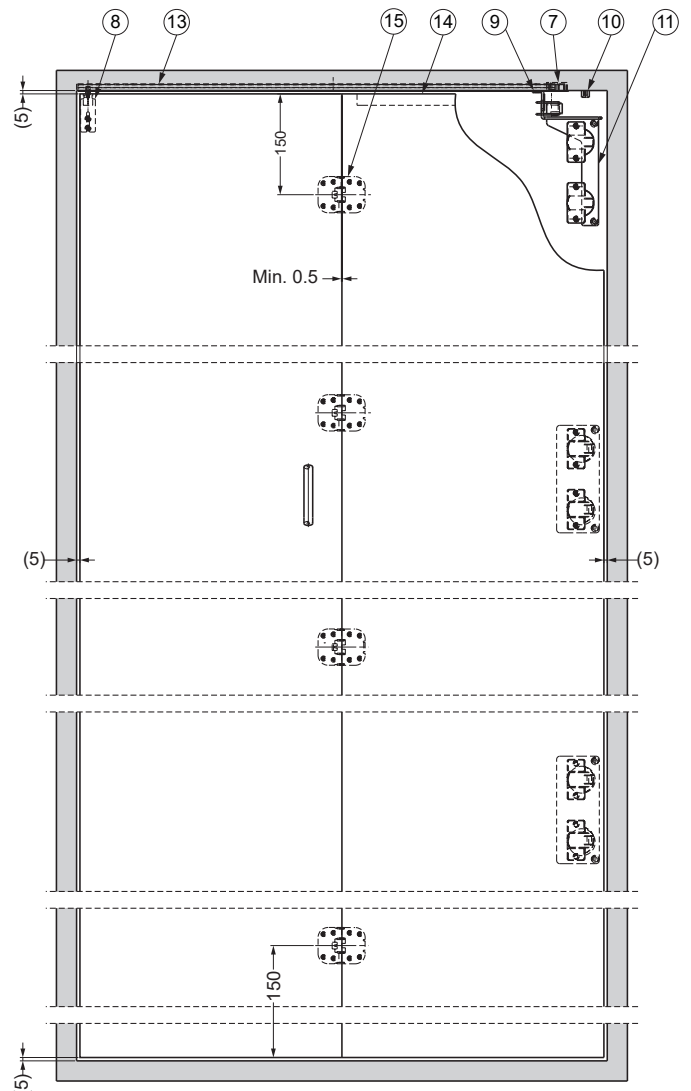
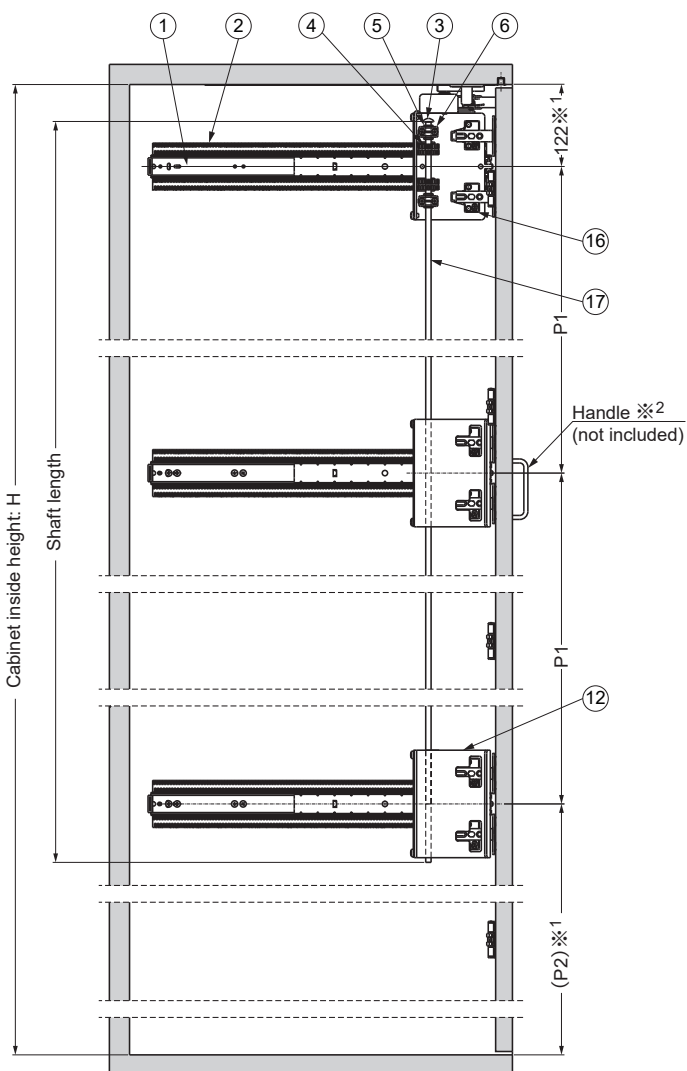
INSTALLATION DRAWINGS

This shows the right-hand opening type.
Installation for the left-hand opening type should be reversed.

Item Name	Opening direction	Rail Length (A)	Door Storing	Cabinet Depth (B)
ALT-F18LV2	Left	460.4	345.9 + Door thickness	466.7 + Door thickness
ALT-F18RV2	Right			
ALT-F20LV2	Left	511.2	396.7 + Door thickness	517.5 + Door thickness
ALT-F20RV2	Right			
ALT-F18LV3	Left	460.4	345.9 + Door thickness	466.7 + Door thickness
ALT-F18RV3	Right			
ALT-F20LV3	Left	511.2	396.7 + Door thickness	517.5 + Door thickness
ALT-F20RV3	Right			



Installation Drawing (3 Rails Type)



※¹ Position of rails

The dimension of the design is 125, but take into consideration that the door may sag when installing the door.

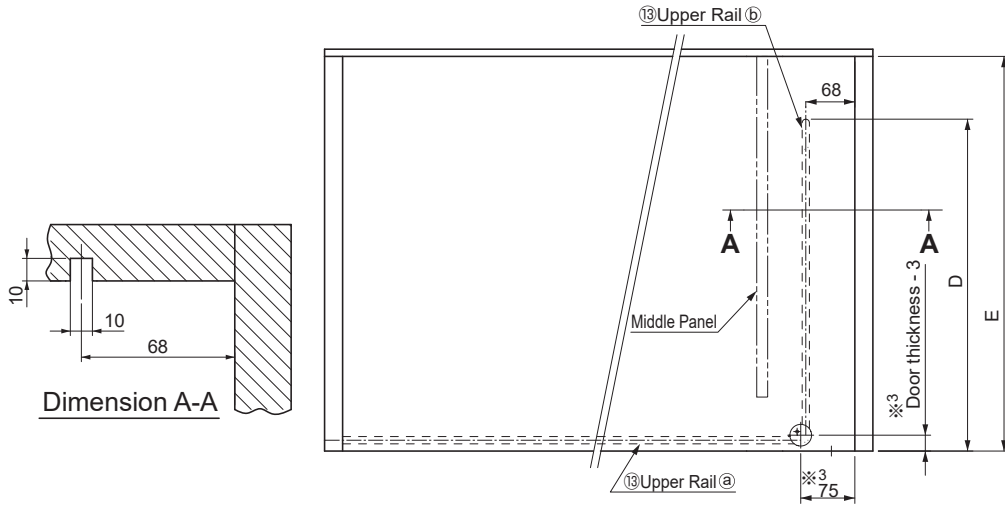
※² Position of handle

See page 4 when placing a middle panel.

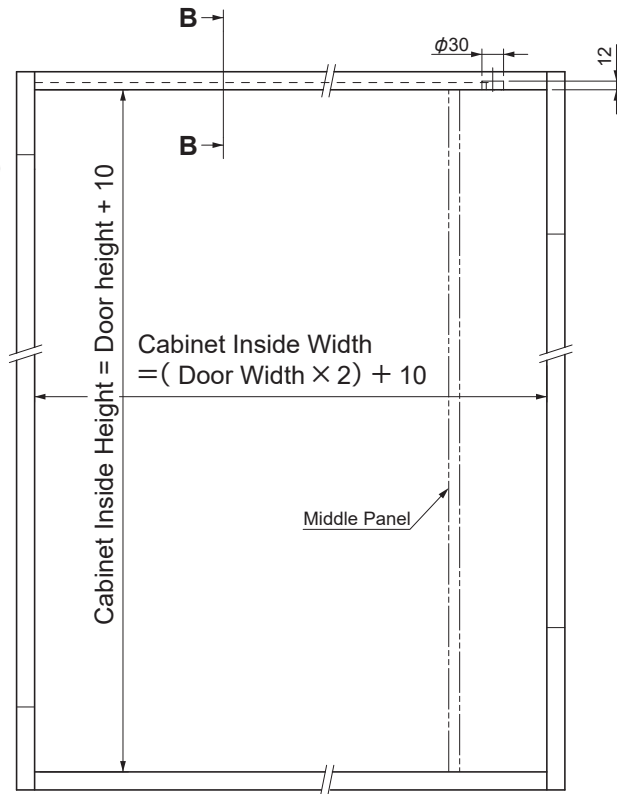
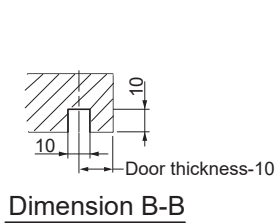
	2 Rails Type	3 Rails Type	
Door Height	Max. 1830	1831 - 1903	1904 - 2400
Cabinet Inside Height: H	Max. 1840	1841 - 1913	1914 - 2410
Shaft Length	H-110		1803
P1	H-250	(H-250)/2	831
(P2)	128		H-1784

CABINET DIMENSION

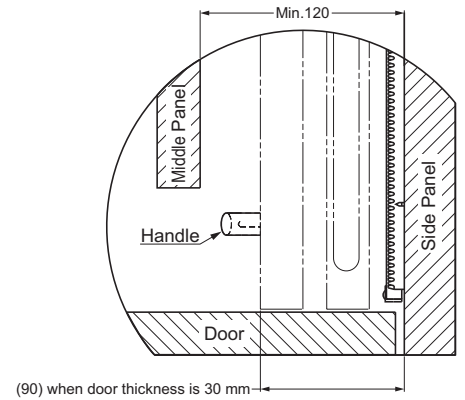
Use hardwood for core material where parts are installed.



※³ : Position (center) of $\phi 30$ hole



When installing middle panel
Position middle panel to avoid
interference with handle and
⑨ angle stopper.



Length of Upper Rail ⑬

	Rail ⑩	Rail ⑪	D	E
ALT-F18(L/R)	Door Width × 2 - 69	375	410	Min. 466.7 + Door thickness
ALT-F20(L/R)		425	460	Min. 517.5 + Door thickness

If, after cutting the upper rail, no mounting holes remain within 50 mm of the rail edge, drill a $\phi 4.5$ hole and countersink it to $\phi 6.8$ within 50 mm of the edge.

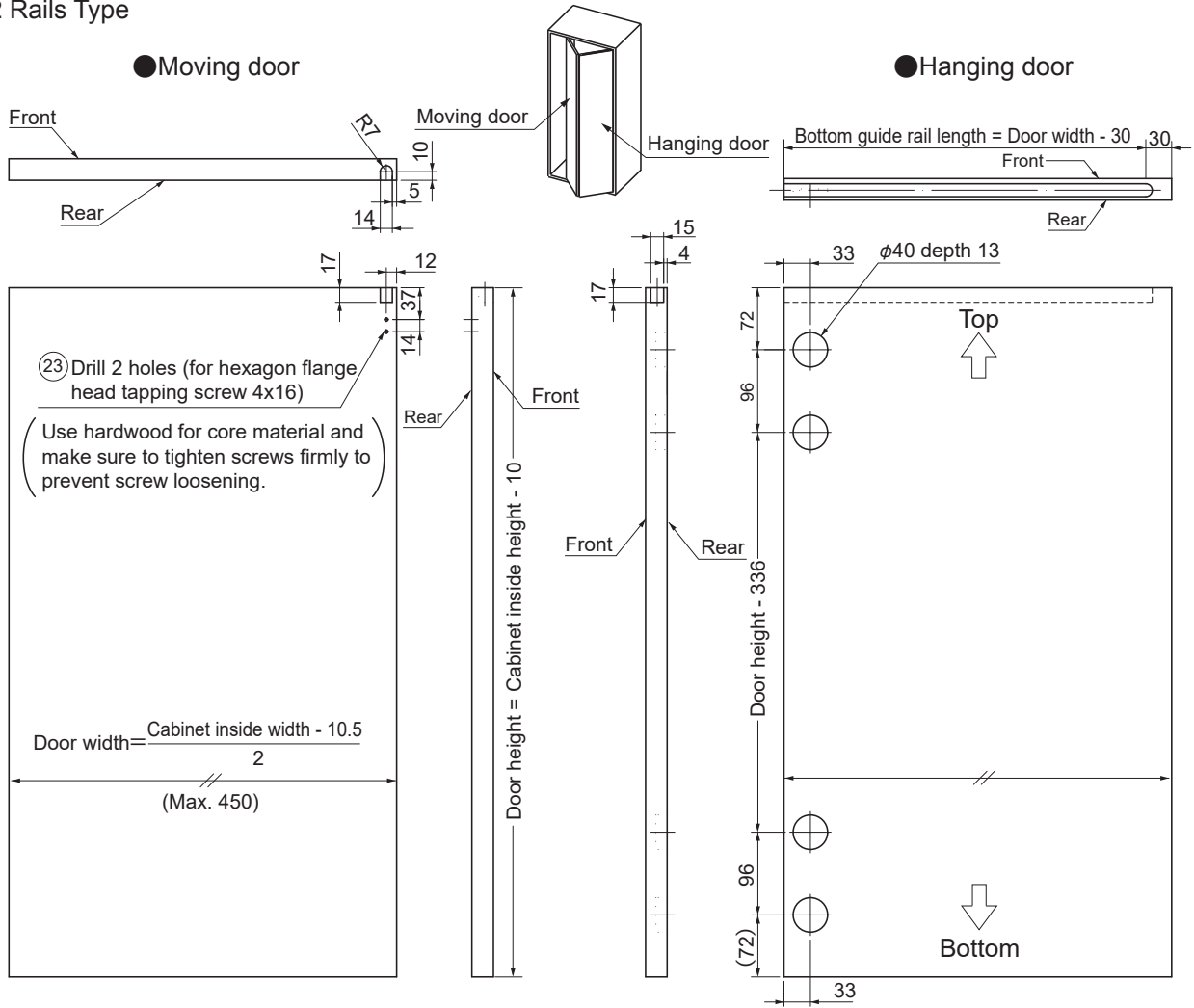
Do not deform the rail when cutting.

Deburr the cut surfaces.

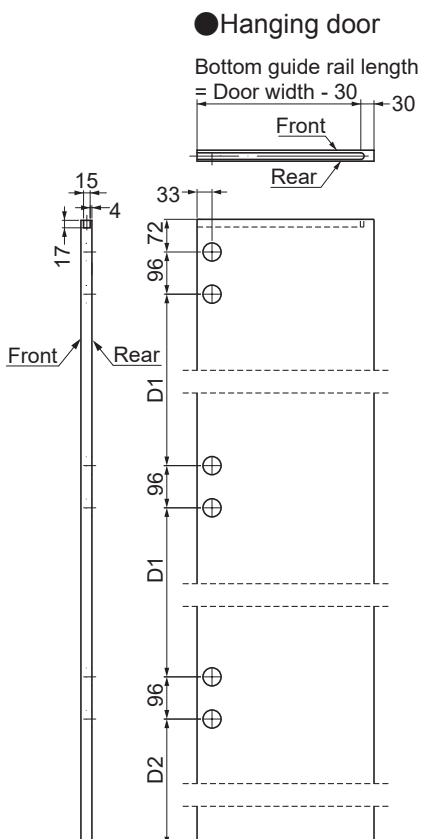
DOOR DIMENSION

Use hardwood for core material where parts are installed.

[1] 2 Rails Type



[2] 3 Rails Type



● Moving door is the same as the 2 rail type

※⁴ If, after cutting the upper rail, no mounting holes remain within 50 mm of the rail edge, drill a $\phi 5$ hole and countersink it to $\phi 9$ within 50 mm of the edge.

Do not deform the rail when cutting.

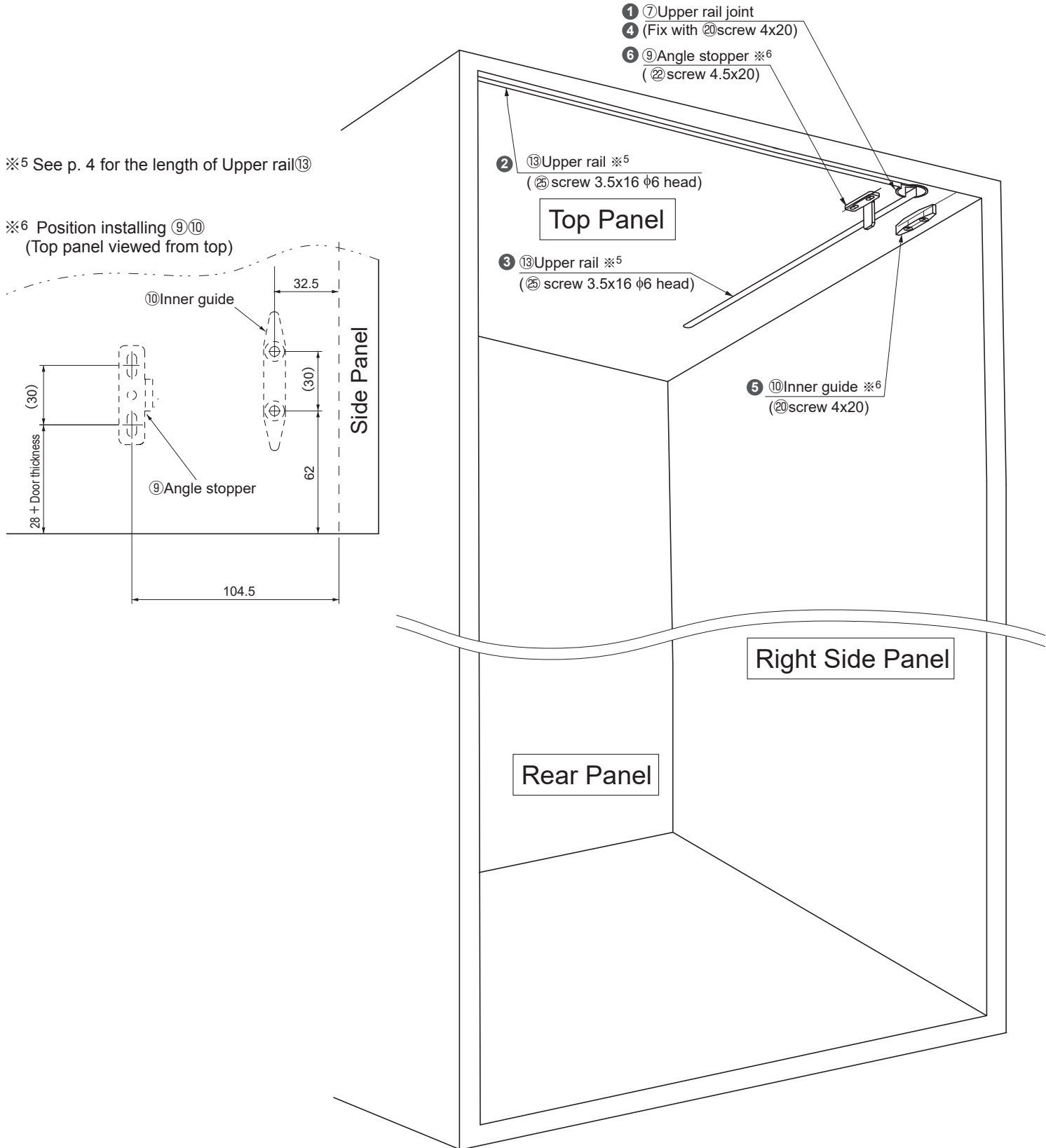
Deburr the cut surfaces.

Door height	1831 - 1903	1904 - 2400
Cabinet inside height: H	1841 - 1913	1914 - 2410
D1	$(\text{Door height} - 432)/2$	735
(D2)	(72)	Door height - 1830

INSTALLATION PROCEDURES

1 Installing Parts on the Top Panel

Install parts in order of ① to ⑥.



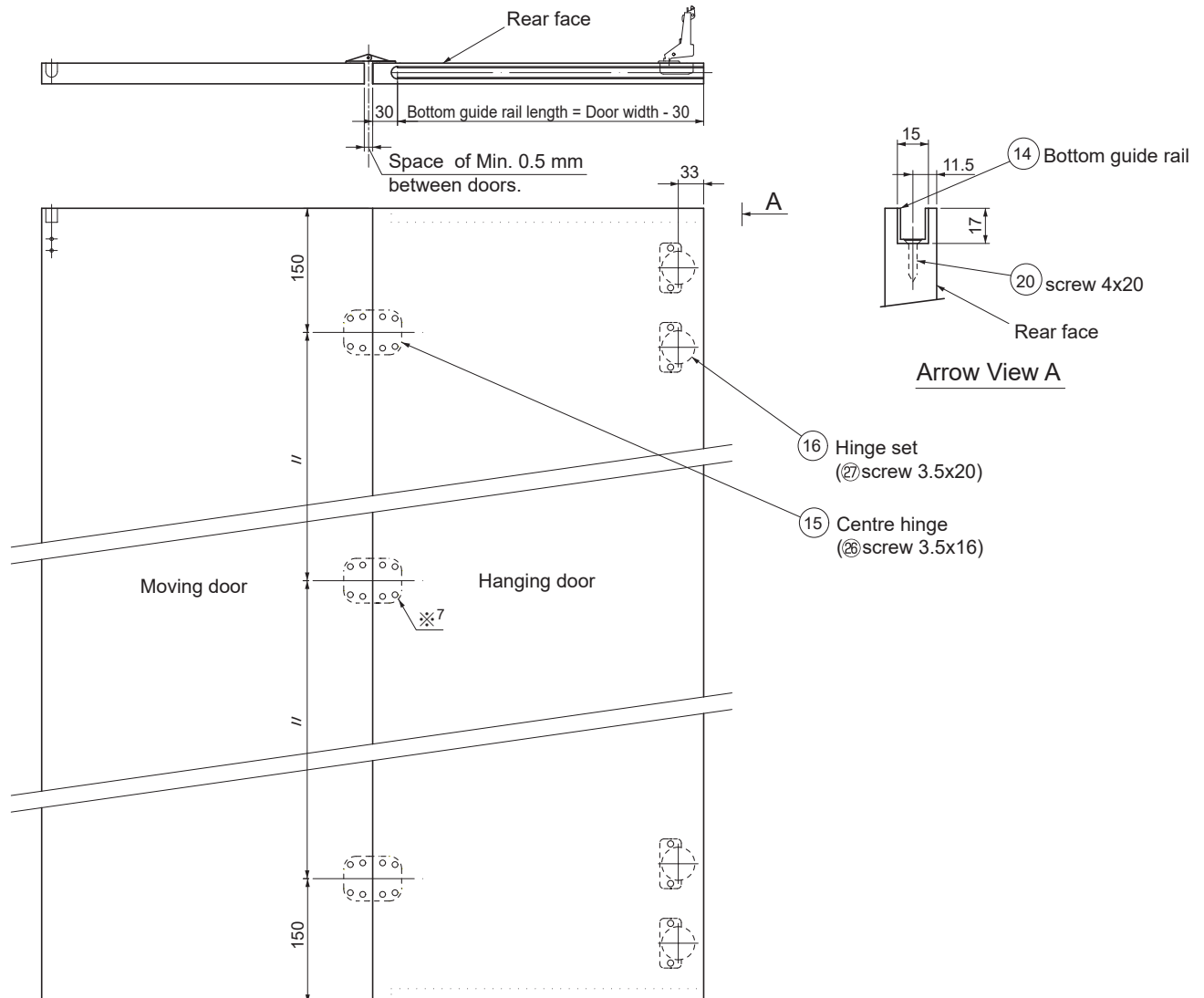
2 Installing Parts

- (1) Fix hinge set ⑯ into the hanging door.
- (2) Fix bottom guide rail ⑭ into the grooves in the upper blocks in hanging door.
- (3) Fix centre hinge ⑮.

2 rail type: Fix as shown in the below drawing.

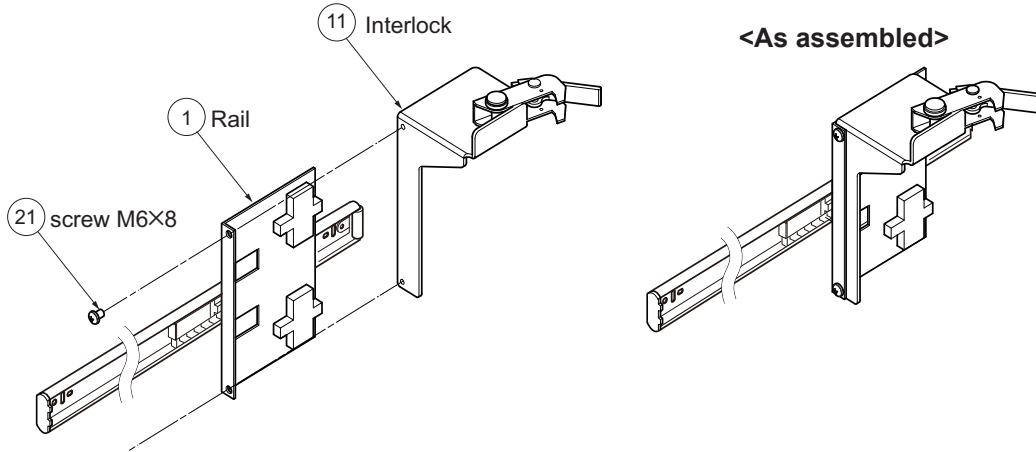
3 rail type: Fix 2 centre hinges within 150 mm of the end.

※7 2 additional hinges should be mounted spaced evenly.



3 Assembling Interlock to Rail

Assemble interlock¹¹ to rail¹ with screw²¹.

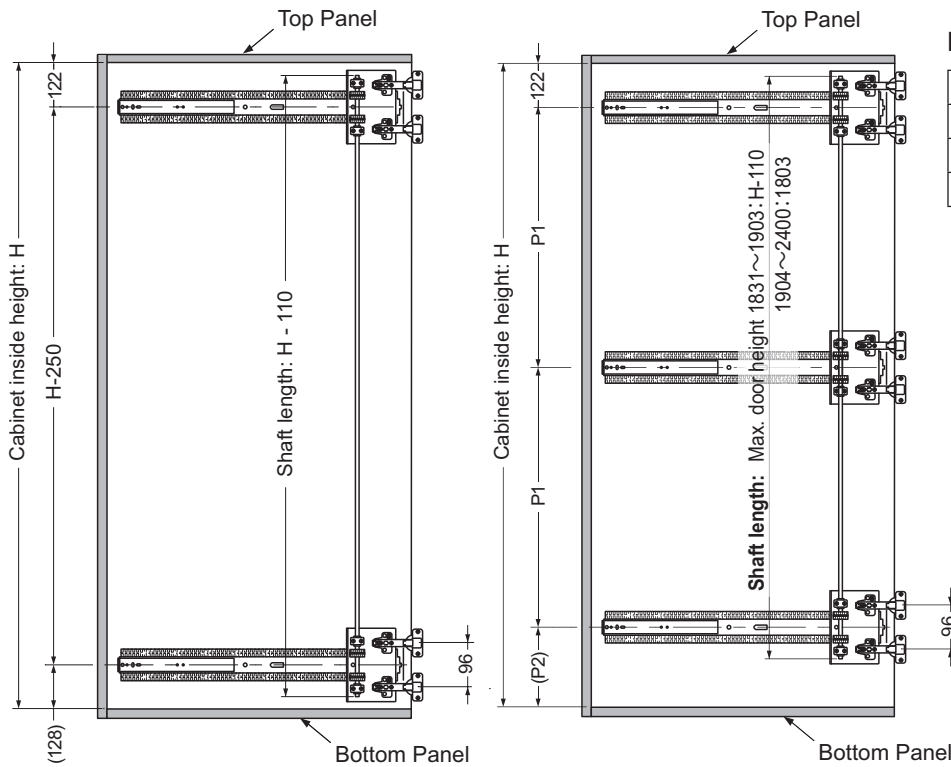


4 Installing Rails and Racks

1 Positions for rails

[1] 2 Rails Type

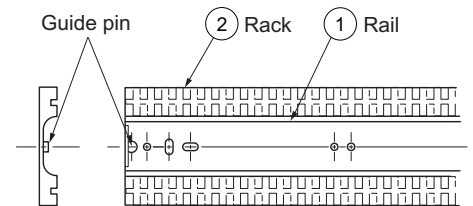
[2] 3 Rails Model



Dimensions for 3 rails model

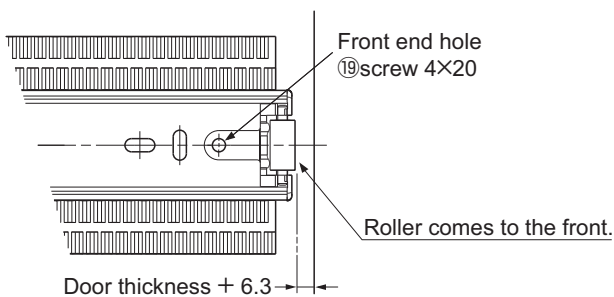
Door height	1831 - 1903	1904 - 2400
Cabinet inside height: H	1841 - 1913	1914 - 2410
P1	(H-250)/2	831
(P2)	128	H-1784

2 Fit rail to the rack.



3 Fixing Rails

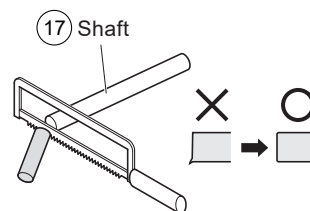
Fix rails in order to be parallel each other.



4 Cutting of shaft

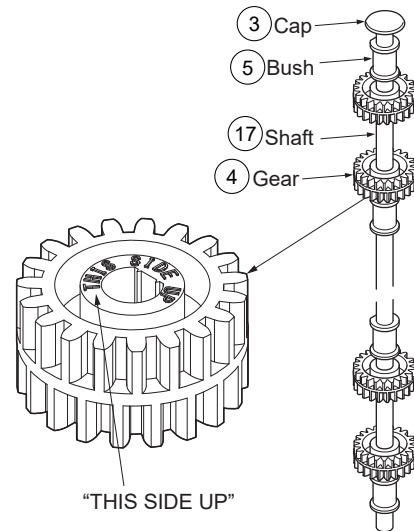
Cut shaft¹⁷ as in above drawings.

CAUTION
Deburr the cut surfaces of the shaft completely.



5 Assembling Shaft and Gear

- [1] If the shaft has been cut, remove burrs from the end of the shaft so that other parts can be easily installed.
- [2] Temporarily assemble the gears, shaft, and bushes as shown in the right figure; make sure that the top and bottom are correct.
 - ※ If the gears are facing in the wrong direction, they will not mesh with the rack.
 - ※ If the bush does not slide on smoothly, use more force to slide it on.
- [3] Push the cap firmly onto the shaft.

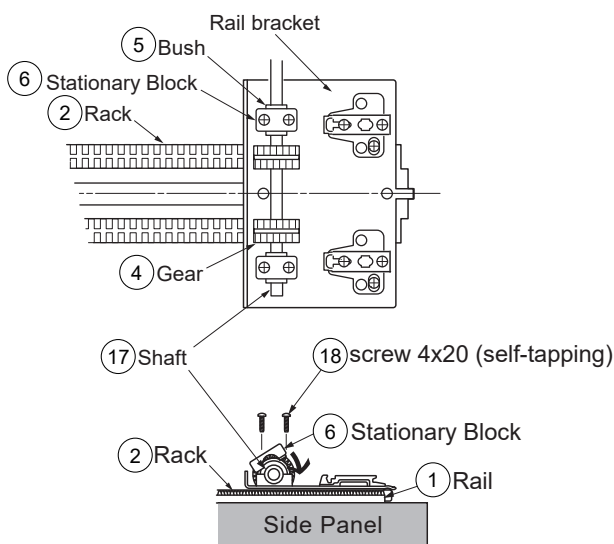


⚠ CAUTION

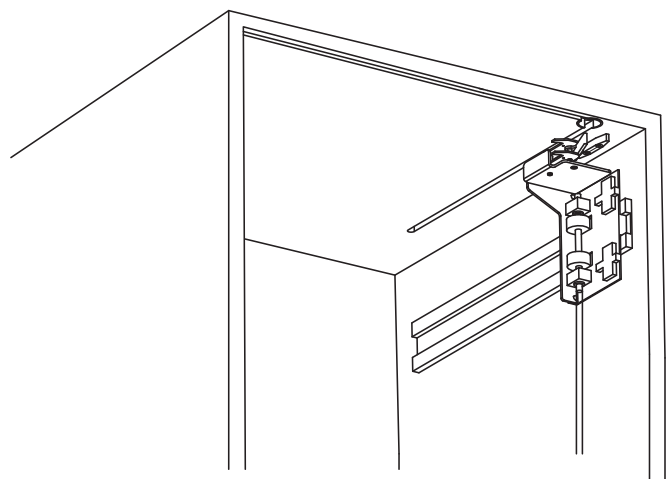
- ⊘ Do not use the shaft as a splice. This will adversely affect the movement of the door.

6 Assembling Gear into Rail

- (1) Pull the rail bracket to the end of the rail.
- (2) Engage the rack and gear of connecting shaft. Fix the stationary block as in below drawing.



<Shaft mounted on the rail>

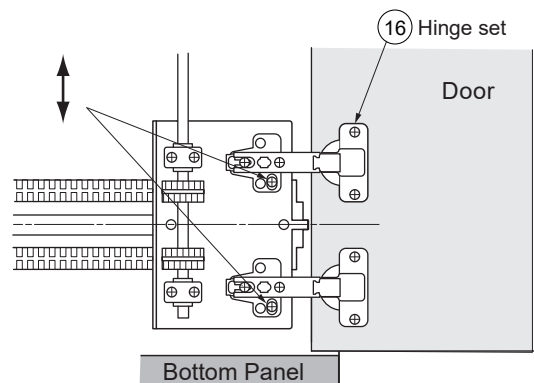


7 Hanging Doors

- ❗ The work of hanging the doors must always be carried out by a team of two workers.
- Install the door to mount the hinge set onto mounting plates.
- See **9** for door adjustment instructions.

⚠ CAUTION

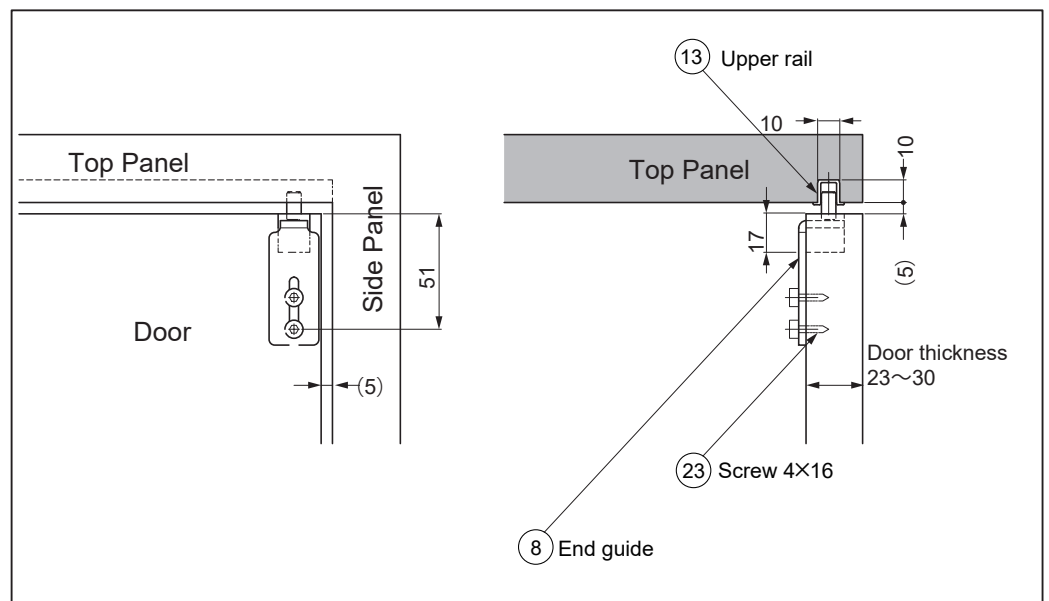
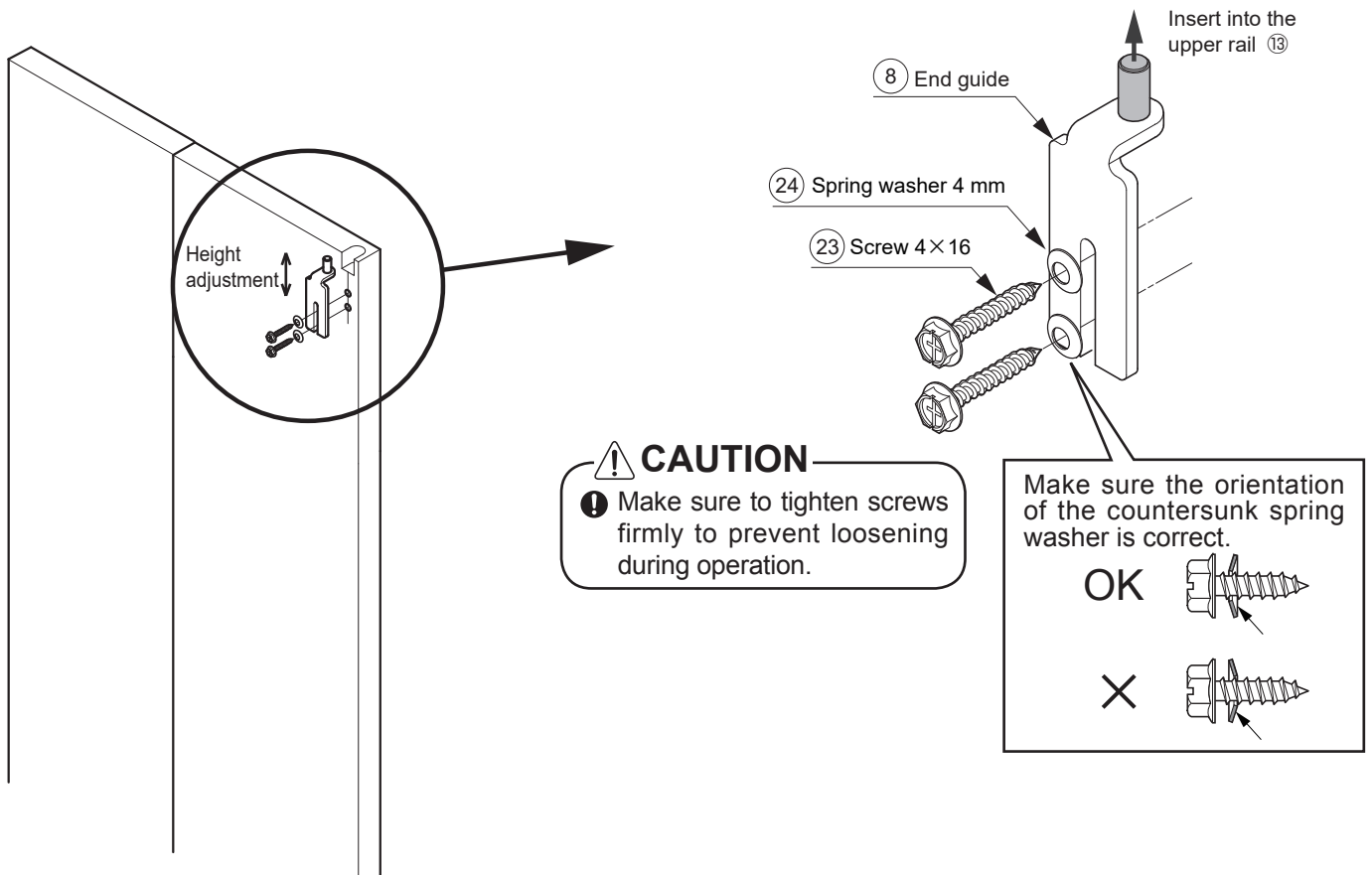
- ❗ Do not adjust the screws farther than they turn easily. Over-turning may cause damage to the product.
- ❗ As for the vertical and depth adjustment, be sure to tighten the screws after the adjustment.



Height adjustment

8 Installing End Guide

- (1) Slightly open the door.
- (2) Insert the tip of the door end guide ⑧ into the upper rail ⑬ and hook it on to the cut-out on the door panel.
- (3) Adjust the height of the door end guide ⑧ so that it slides smoothly within the upper rail without getting caught.
- (4) Secure it with the provided screws ⑳ and washers ㉑.



9 Adjusting Doors

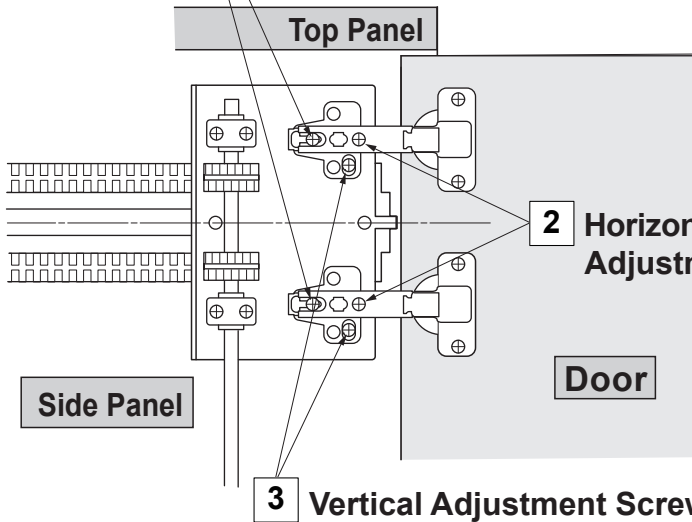


CAUTION

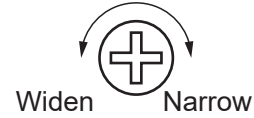
Do not over loosen these screws.

1 Vertical Adjustment Screws

- ① Loosen screws.
- ② Adjust by moving the door backwards or forwards.
- ③ Tighten screws.

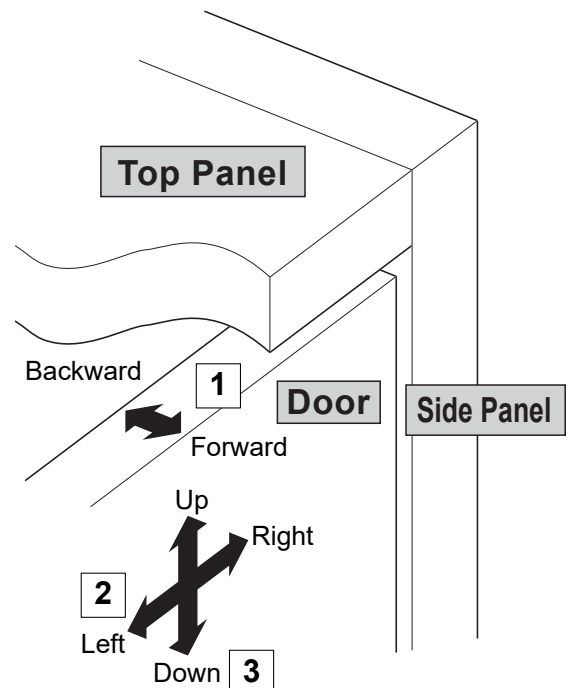


Adjust the gap between the hingeside of the door and the side panel.



3 Vertical Adjustment Screw

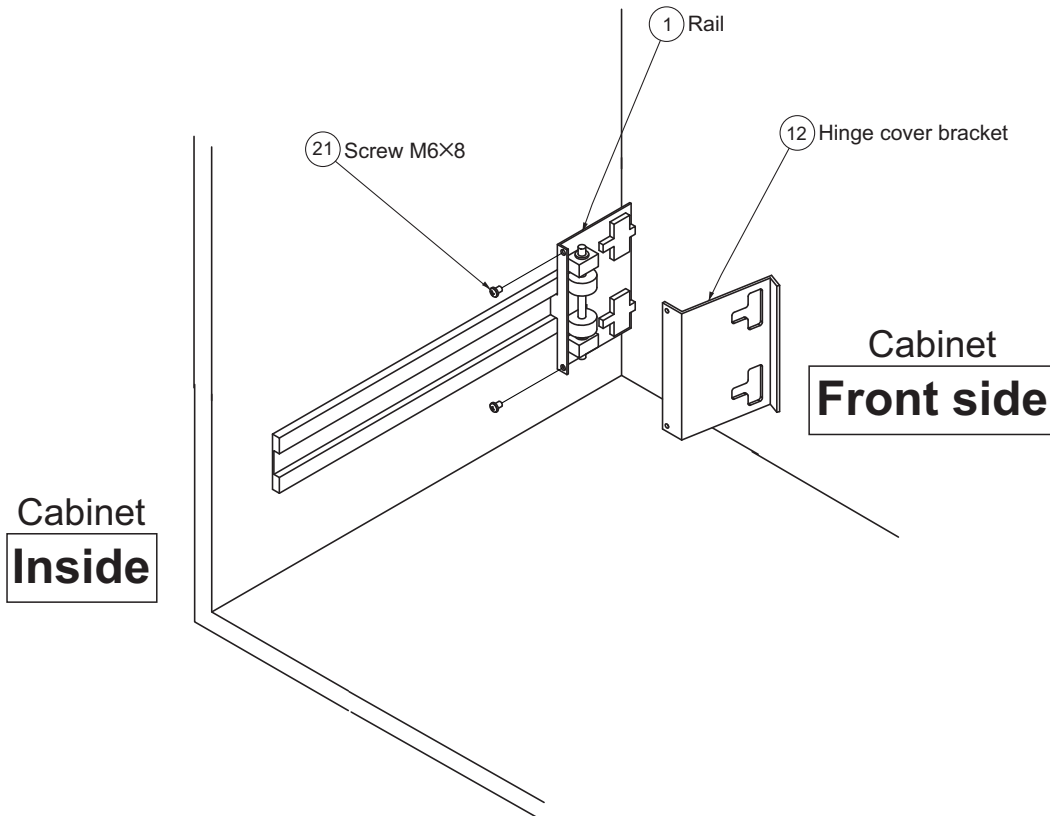
- ① Loosen screws.
- ② Adjust by moving the door upwards or downwards.
- ③ Tighten screws.



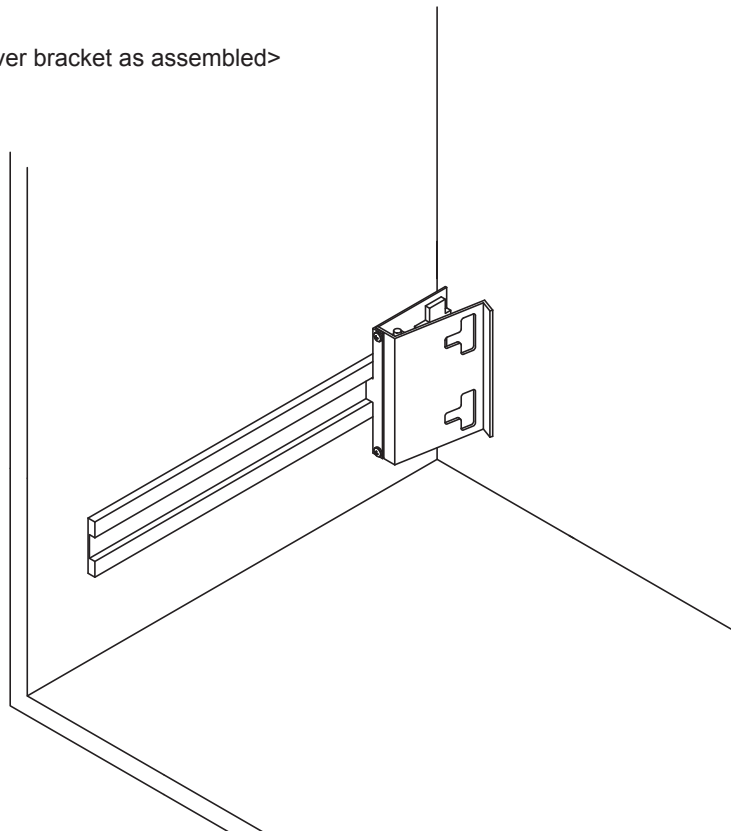
10 Assembling Hinge Cover Bracket

Assemble hinge cover bracket ⑫ to rail ①.

(As for 3 slides model, assemble it to middle rail, too.)



<Hinge cover bracket as assembled>



SUGATSUNE KOGYO CO., LTD.
Tokyo, JAPAN
Phone: +81 3 3866 2260
E-mail: export@sugatsune.co.jp

SUGATSUNE KOGYO (UK) LIMITED
Reading, UK
Phone: +44 1189 272 955
E-mail: sales@sugatsune.co.uk

SUGATSUNE EUROPE GmbH
Düsseldorf, GERMANY
Phone: +49 211 53812 900
E-mail: sales@sugatsune.eu

SUGATSUNE AMERICA, INC.
California, USA
Phone: +1 310 329 6373
E-mail: sales@sugatsune.com

Chicago, USA
Phone: +1 630 317 7072
E-mail: sales@sugatsune.com

SUGATSUNE CANADA, INC.
Montreal, CANADA
Phone: +1 514 312 5267
E-mail: support@sugatsune.ca

SUGATSUNE SHANGHAI CO., LTD.
Shanghai, CHINA
Phone: +86 21 3632 1858
E-mail: lamp@sugatsune.com.cn

Guangzhou, CHINA
Phone: +86 20 6639 3554
E-mail: lamp@sugatsune.com.cn

SUGATSUNE KOREA CO., LTD.
Incheon, KOREA
Phone: +82 32 220 0603
E-mail: sales@sugatsune-korea.co.kr

SUGATSUNE KOGYO INDIA PRIVATE LIMITED
Mumbai, INDIA
Phone: +91 9867299597
E-mail: sales@sugatsune.in

Delhi, INDIA
Phone: +91 9867299597
+91 11 45093636
E-mail: sales@sugatsune.in