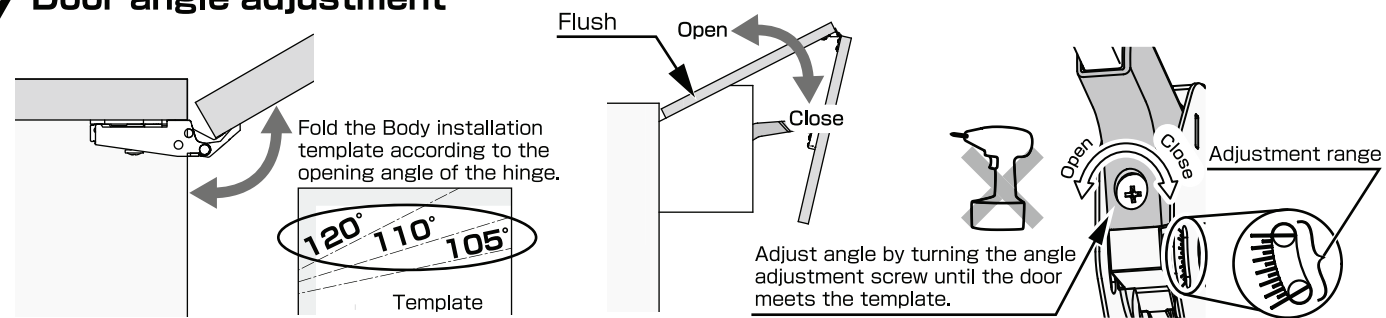


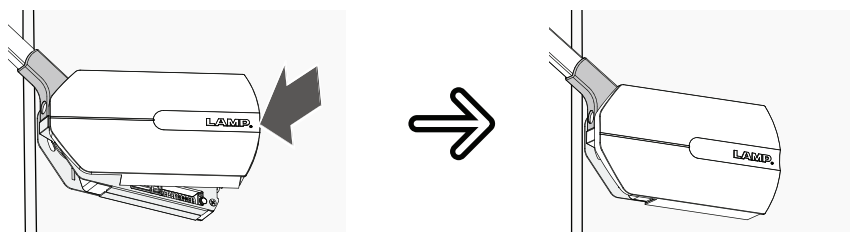
7 Door angle adjustment



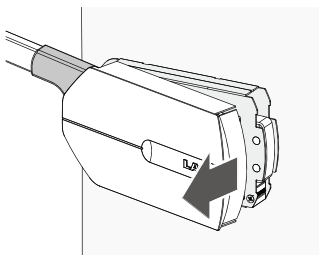
- △ Always adjust the left & right opening angle simultaneously.
- △ Do not exceed the adjustment range as it will cause damage to the product.

Check the movement by opening and closing the door after all the adjustments.

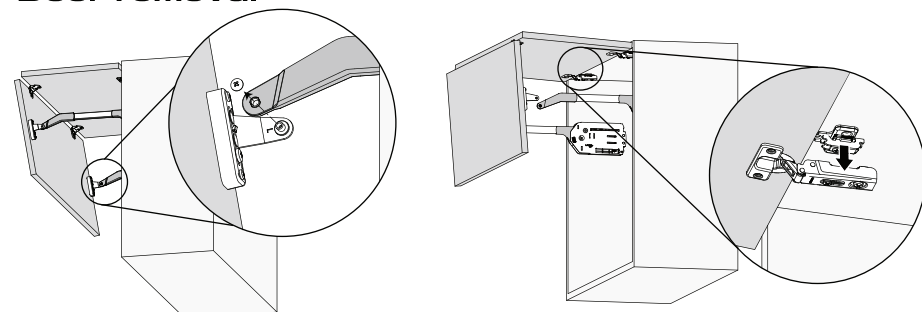
8 Cover installation



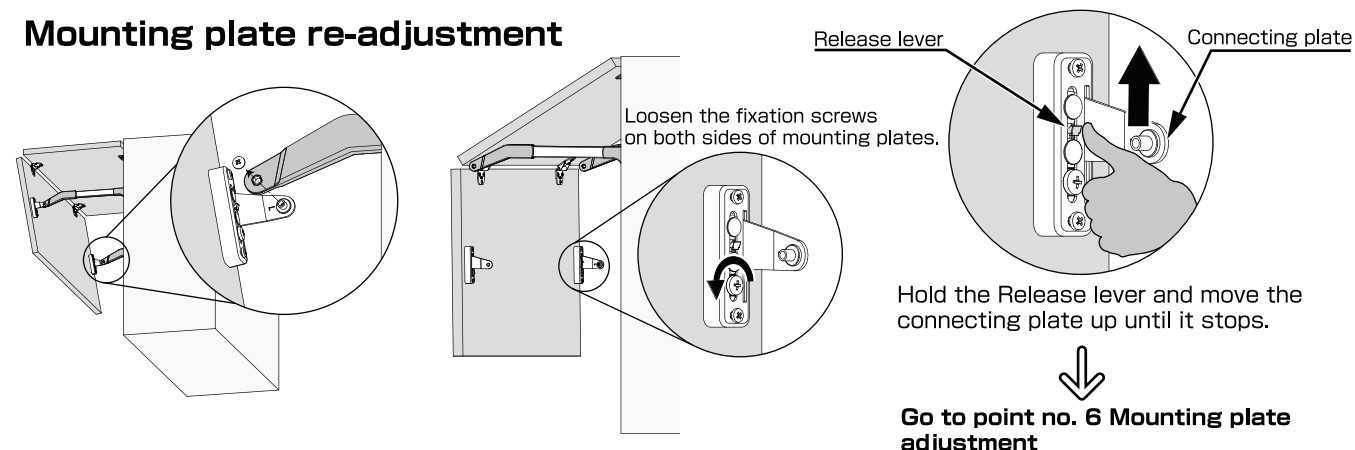
Cover removal



Door removal



Mounting plate re-adjustment



SUGATSUNE KOGYO CO., LTD.
Tokyo, JAPAN
Phone: +81 (0)3 3866 2260 E-mail: export@sugatsune.co.jp

SUGATSUNE KOGYO (UK) LTD.
Reading, UK
Phone: +44 118 9272 955 E-mail: sales@sugatsune.co.uk

SUGATSUNE EUROPE GmbH
Düsseldorf, GERMANY
Phone: +49 211 53812900 E-mail: sales@sugatsune.eu

ISO9001(Japan Offices and Sugatsune America) and ISO14001(Chiba Production division and Logistics center), certified.

SUGATSUNE SHANGHAI Co., LTD.
Shanghai, CHINA
Phone: +86 21 3632 1858 E-mail: lamp@sugatsune.com.cn

Guangzhou, CHINA
Phone: +86 20 6639 3552 E-mail: lamp@sugatsune.com.cn

SUGATSUNE KOREA CO., LTD.
Mumbai, INDIA
Phone: +82 32 220 0603 E-mail: sales@sugatsune-korea.co.kr

SUGATSUNE KOGYO INDIA PRIVATE LIMITED
Mumbai, INDIA
Phone: +91 9867299597 E-mail: sales@sugatsune.in

SUGATSUNE AMERICA, INC.
California, USA
Phone: +1 310 329 6373 E-mail: sales@sugatsune.com

Chicago, USA
Phone: +1 630 317 7072 E-mail: sales@sugatsune.com

SUGATSUNE CANADA, INC.
Phone: +1 514 312 5267 E-mail: support@sugatsune.ca

2023.02 0622-3

LAMP®

HBF-ELAN

Installation instructions

Dear Customer:

HBF-ELAN stay was designed and manufactured with Sugatsune's utmost care in order to give you a high performance and smooth operation on a long-term basis. We ask you to follow these instructions for best possible results and carefree use throughout its lifetime.

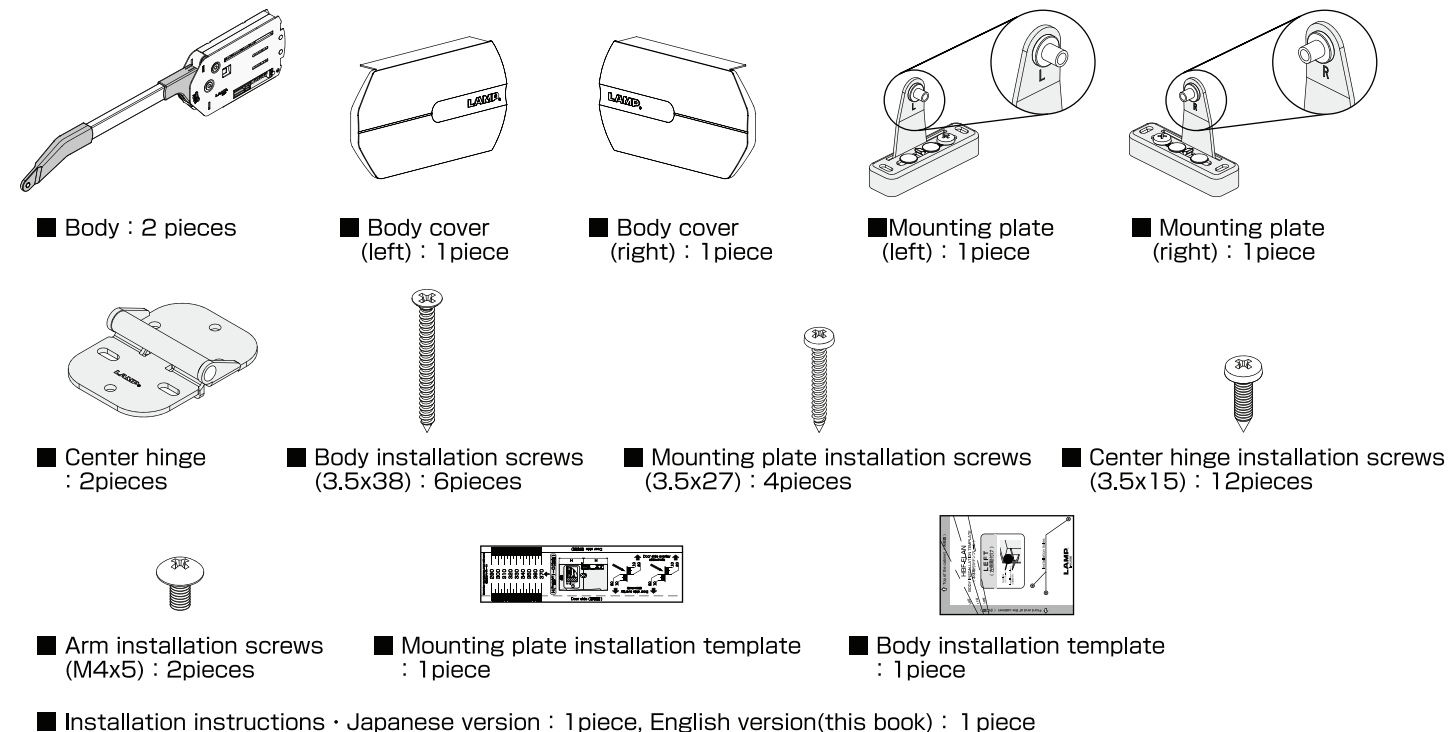
Safety recommendations:

- Sugatsune recommends for the installation to be made by a professional carpenter or installer.
- HBF-ELAN stay contains some very strong springs: for your own safety, do not fold the arm before it is securely attached to the door. Failure to observe this advice may lead to bodily injury.
- Do not disassemble the arm or body of the stay.
- Please use this stay only within the specifications shown in this manual.
- Standard temperature of use is 0 to 40°C.

Warranty

- HBF-ELAN stay was produced with a particular attention to its quality. Should you however experience any difficulty, please refer to your local supplier or Sugatsune Export Department (export@sugatsune.co.jp).
- The liability of Sugatsune is limited to the replacement or repair of the stay itself. Sugatsune cannot accept any liability for damage incurred while using this stay.
- Standard warranty is for one-year period from the date of shipment.

Parts list



Specifications

· HBF-ELAN specifications applicable are in the list below. The application range is for information purpose only. We recommend that all installations be tested thoroughly.

■ Door size

Door weight (/door)	2.5~6.5 kg
Door height (/door)	320~370mm
Door width	MAX 1200mm

※ Minimum cabinet inside height is 600mm.

※ The size of 2 doors should be same.

■ Top door hinge(sold separately) specifications

Opening angle	Overlay	Type
105° (OLYMPIA hinges recommended)	5~19 mm	Free swinging
110°		
120°		
Single axis hinge		

■ Number of top door hinges required

Door weight (/door)	Door width	
	~900mm	901~1200mm
2.5~5.5 kg	2pieces	3pieces
5.6~6.5 kg	3pieces	3pieces

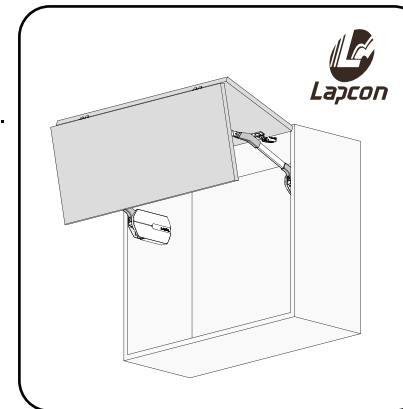
■ HBF-ELAN specifications

Door weight (/door)	Item No.
2.5~3.3 kg	HBF-ELAN-LL
3.3~4.1 kg	HBF-ELAN-ML
4.1~4.9 kg	HBF-ELAN-MM
4.9~5.7 kg	HBF-ELAN-HM
5.7~6.5 kg	HBF-ELAN-HH

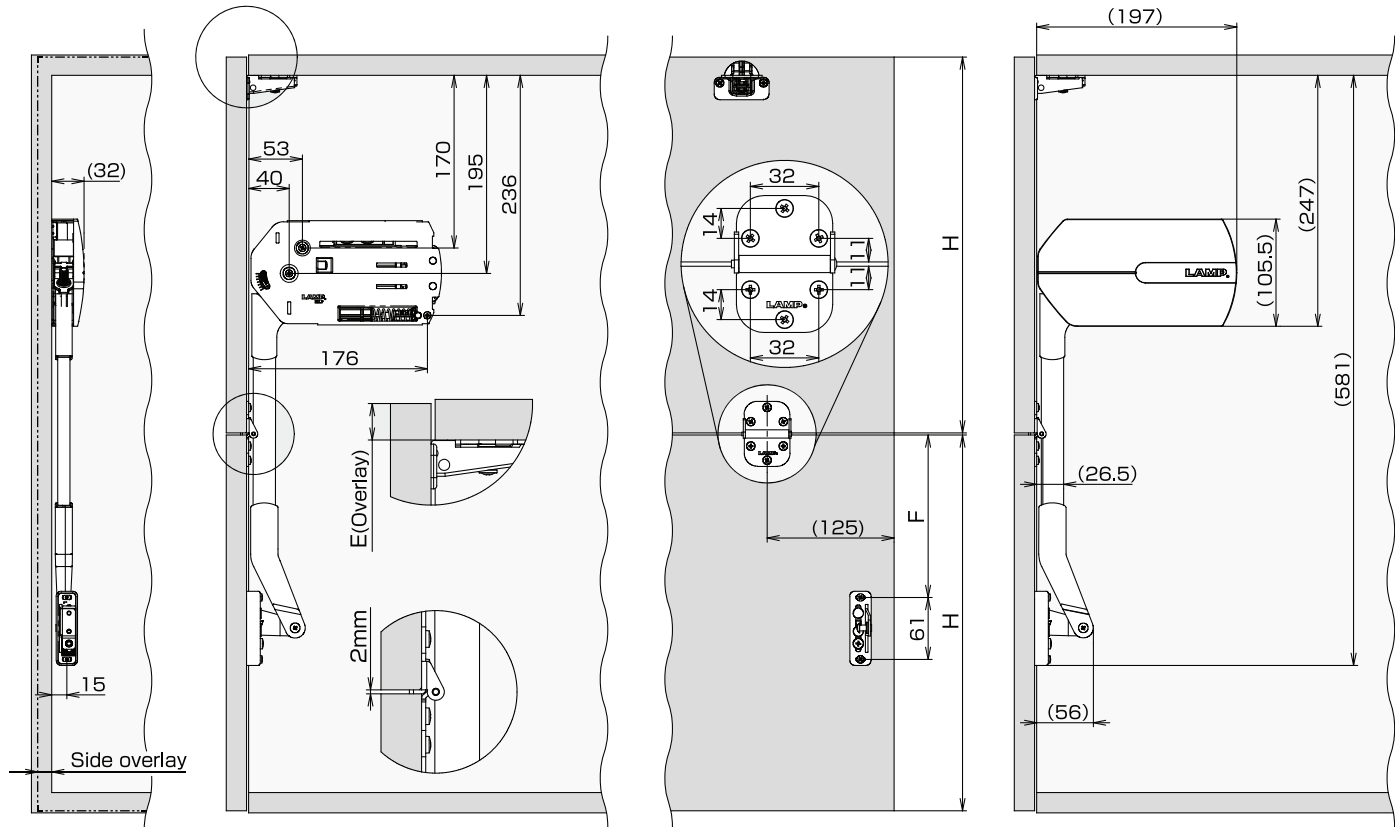
※ Select the Door weight range applicable on the list above.

※ Range applicable for a pair of HBF-ELAN.

※ Weight of the door should include the handle.

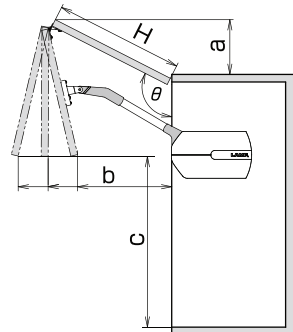


Installation drawing



$$F=512+E(\text{Overlay})-H(\text{Door height})$$

Opening dimension

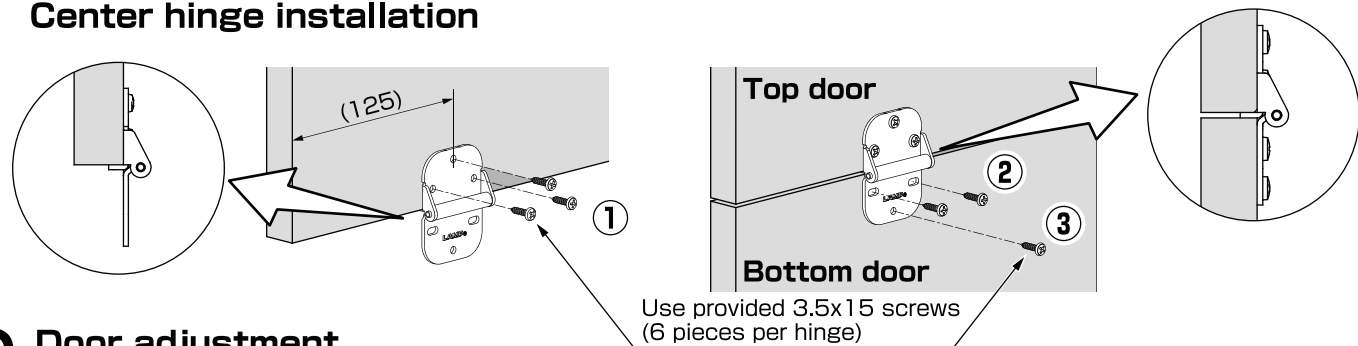


θ: Top door hinge opening angle	H: Door height											
	320				350				370			
	a	b	c	θ°	a	b	c	θ°	a	b	c	θ°
105°	58	364	341	105°	65	348	373	105°	69	314	399	105°
110°	85	364	369	110°	93	344	402	110°	99	303	431	110°
120°	134	359	424	120°	148	330	459	120°	157	270	492	120°
Single axis hinge	167	351	452	120°	181	313	490	120°	131	289	461	110°

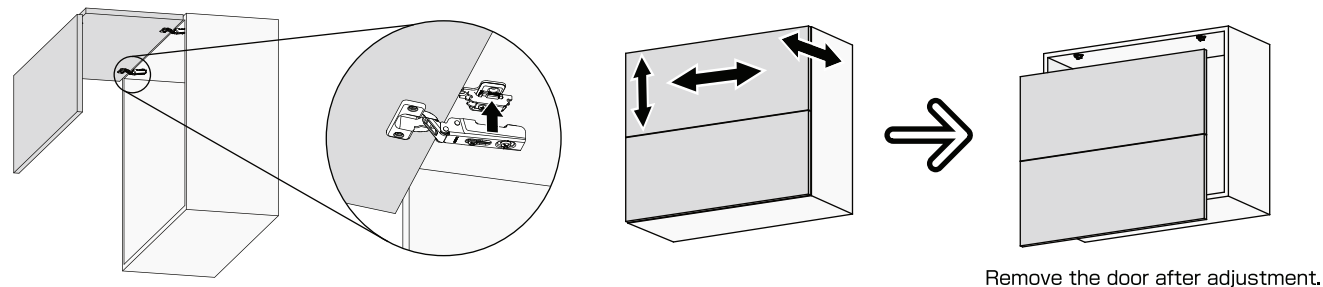
•When using a single axis hinge, adjust the hinge opening angle (θ) to 120° or less (refer to 7. Door angle adjustment).
•When using a single axis hinge, please check door operation (movement may vary depending on door mass).

Installation

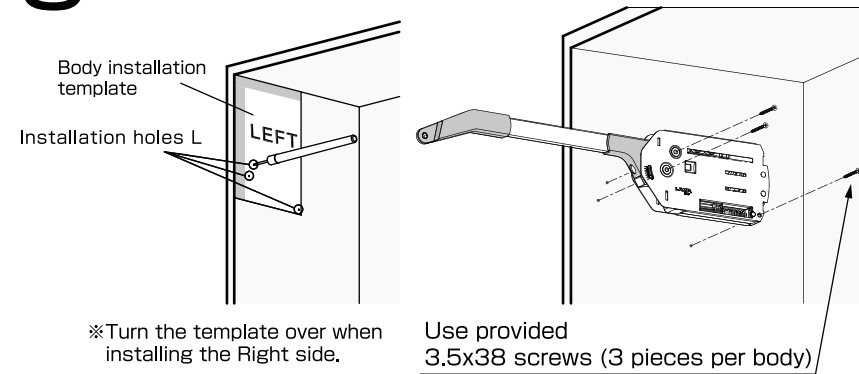
1 Center hinge installation



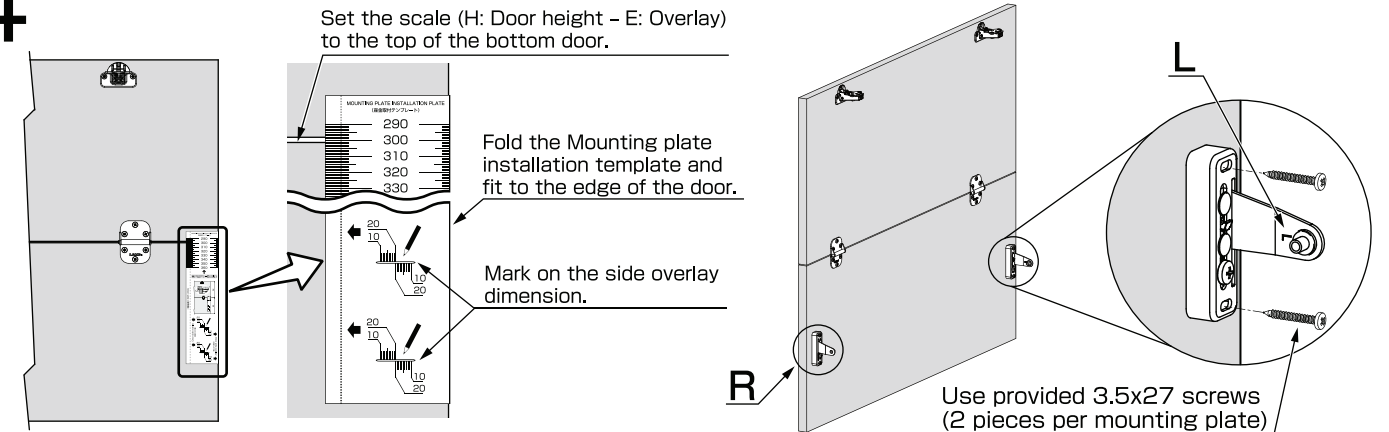
2 Door adjustment



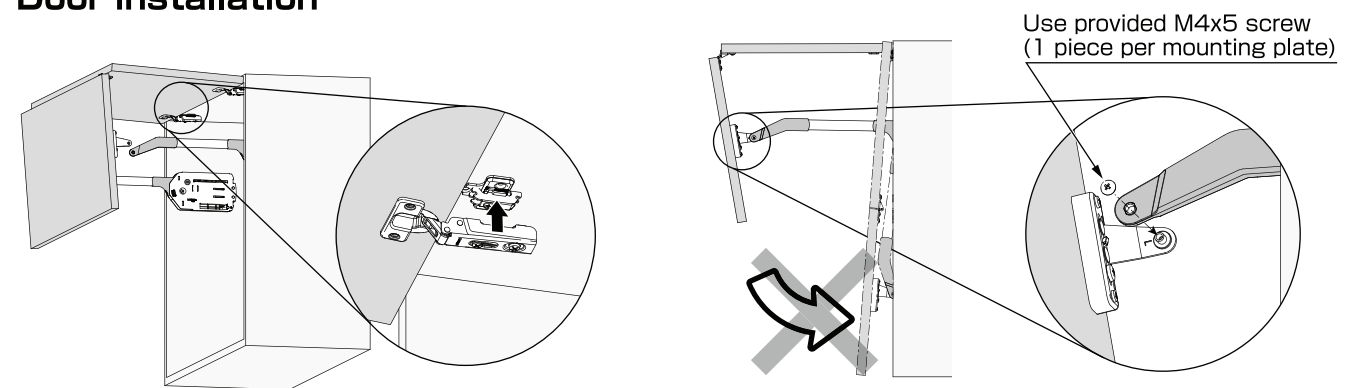
3 Body installation



4 Mounting plate installation

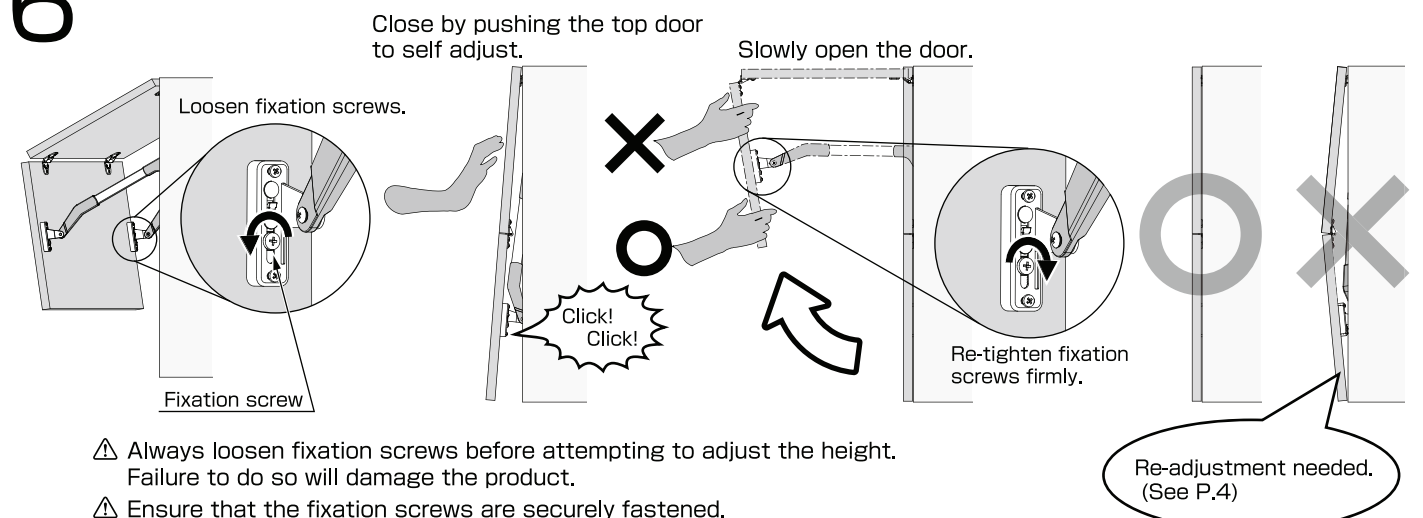


5 Door installation



- △ Ensure the top door hinges are securely installed so that the door will not drop.
- △ Ensure that all the screws are securely fastened.

6 Mounting plate adjustment



- △ Always loosen fixation screws before attempting to adjust the height. Failure to do so will damage the product.
- △ Ensure that the fixation screws are securely fastened.