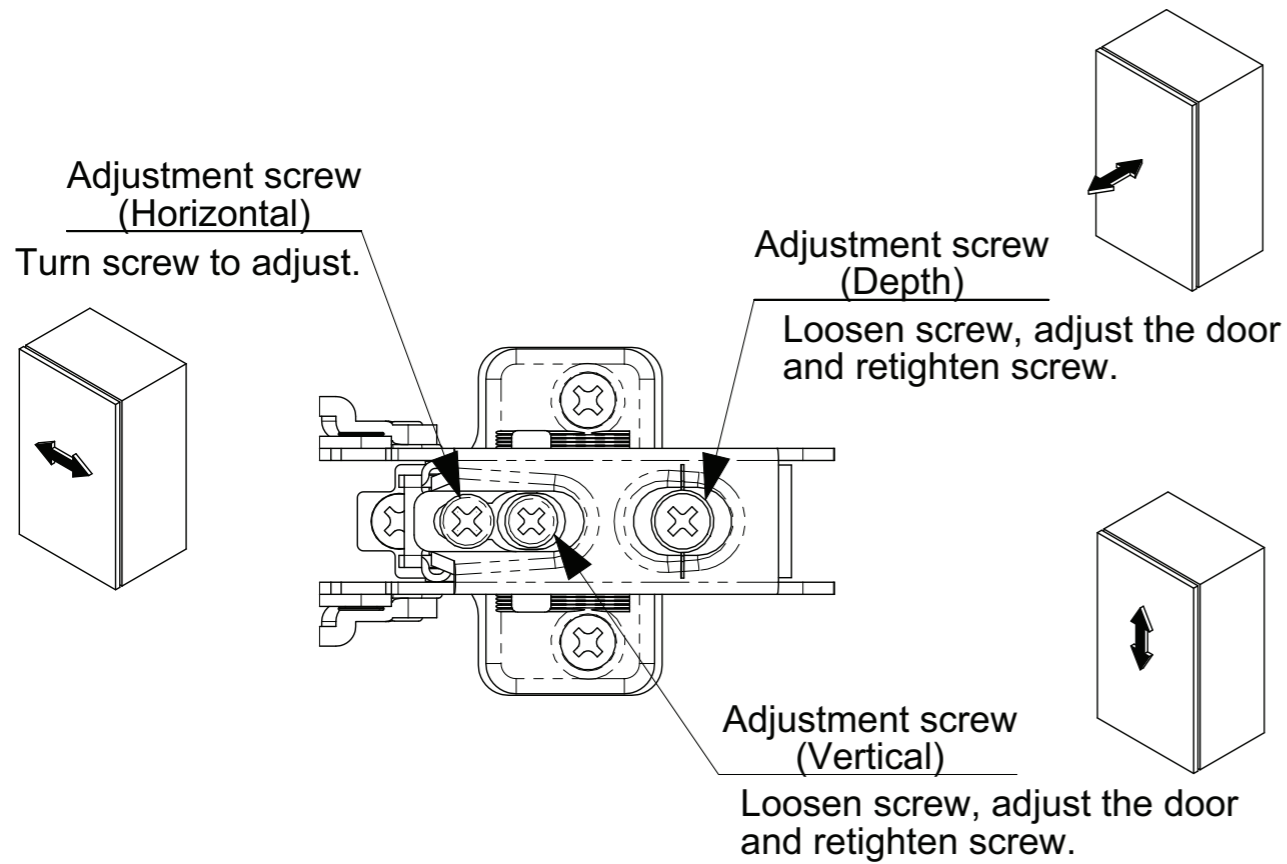
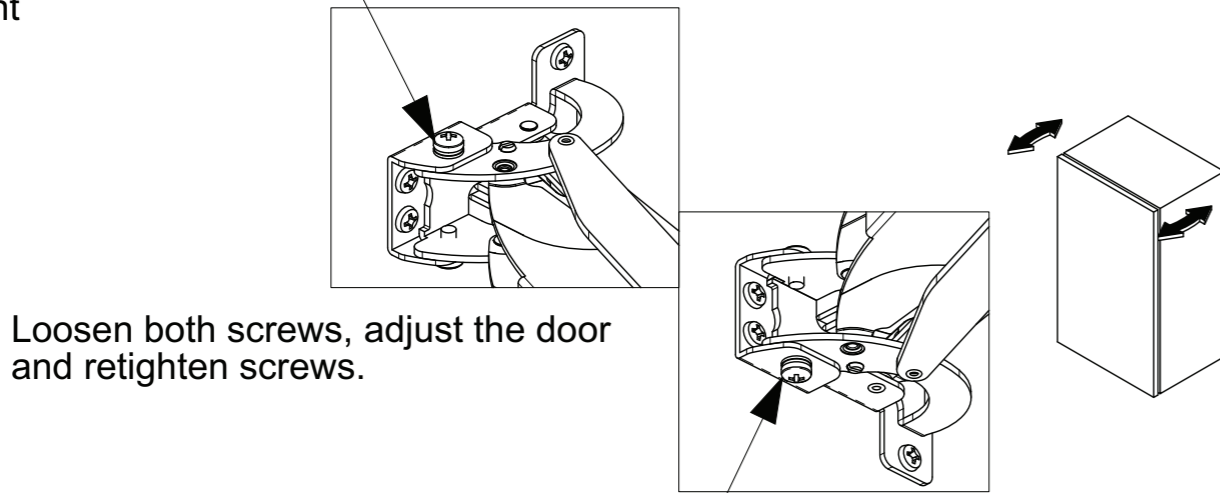


■ Adjustments



Leveling adjustment screw
Front



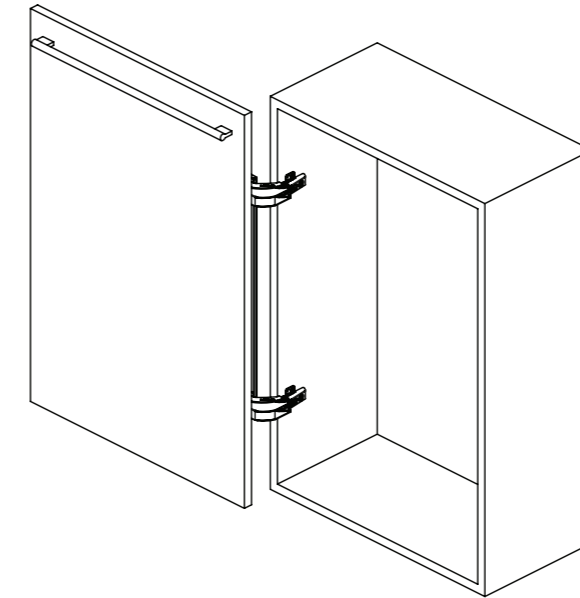
Leveling adjustment screw
Back

LAMP. MonoFlat **LIN-X** hinge® 
MonoFlat LIN-X600 Instruction Manual

Thank you for purchasing this MonoFlat LIN-X hinge by SUGATSUNE. Before proceeding with the installation, please read this instruction manual carefully for the best possible result and ensure your safety.

! WARNING

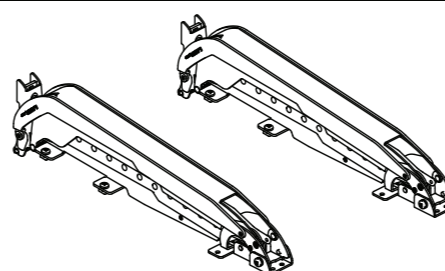
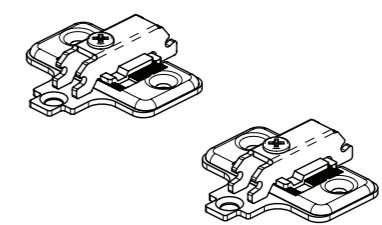
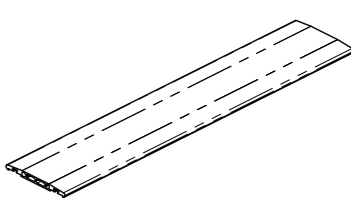
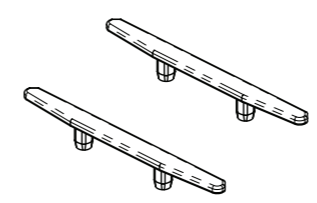
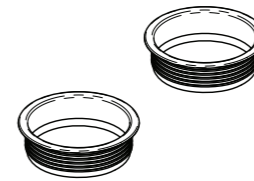
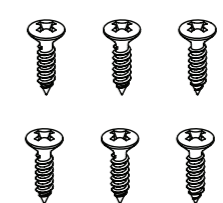
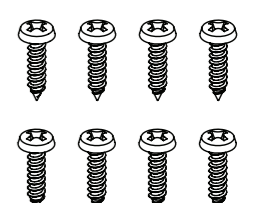
- Failure to observe the following precautions may result in injury and/or lead to damage to surrounding cabinets or fittings.
- Choose suitable screws to ensure of proper installation of the cabinet and door.
- Ensure that door size, weight and material correspond to the specifications stated in this manual.
- Do not disassemble or modify the system.



■ Product Specification

Door width	550 ~ 650 mm
Door height	600 ~ 900 mm
Door thickness	15 ~ 24 mm
Door weight	MAX 9 kg (per door)

■ Parts List

① LIN-X body 2 pcs. 	② Mounting plate 2 pcs. 	③ Connecting plate 1 pc. L=540mm 
④ Connecting plate cover 2 pcs. 	⑤ Cup cover 2 pcs. 	⑥ Countersunk head tapping screw 3.5x15 6 pcs. 
		⑦ Binding & tapping screw 3.5x15 8 pcs. 

SUGATSUNE KOGYO CO.,LTD
Tokyo, JAPAN
Phone: +81 (0)3 3866 2260 E-mail:export@sugatsune.co.jp

SUGATSUNE SHANGHAI Co., LTD
Shanghai, CHINA
Phone: +86 21 3632 1858 E-mail:lamp@sugatsune.com.cn

SUGATSUNE AMERICA, INC
California, USA
Phone: +1 310 329 6373 E-mail:sales@sugatsune.com

SUGATSUNE KOGYO (UK) LTD
Reading, UK
Phone: +44 118 9272 955 E-mail:sales@sugatsune.co.uk

SUGATSUNE KOGYO (CHINA) LTD
Guangzhou, CHINA
Phone: +86 20 6639 3552 E-mail:lamp@sugatsune.com.cn

Chicago, USA
Phone: +1 312 461 1081 E-mail:chicagoshowroom@sugatsune.com.

SUGATSUNE EUROPE GmbH
Düsseldorf, GERMANY
Phone: +49 211 53812900 E-mail:sales@sugatsune.eu

SUGATSUNE KOGYO INDIA PRIVATE LIMITED
Mumbai, INDIA
Phone: +91 22 28314490/91 E-mail:sales@sugatsune.in

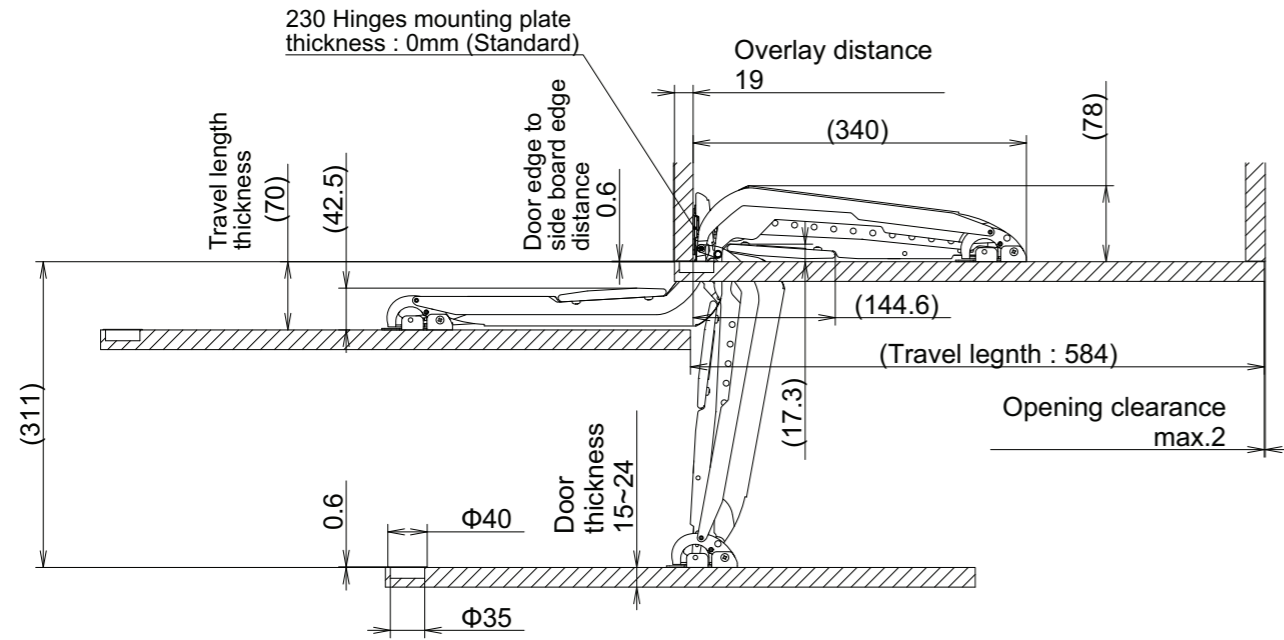
SUGATSUNE CANADA, INC.
Phone: +1 514 312 5267 E-mail:support@sugatsune.ca

ISO9001(Japan Offices and Sugatsune America) and ISO14001(Chiba Production division and Logistics center), certified.

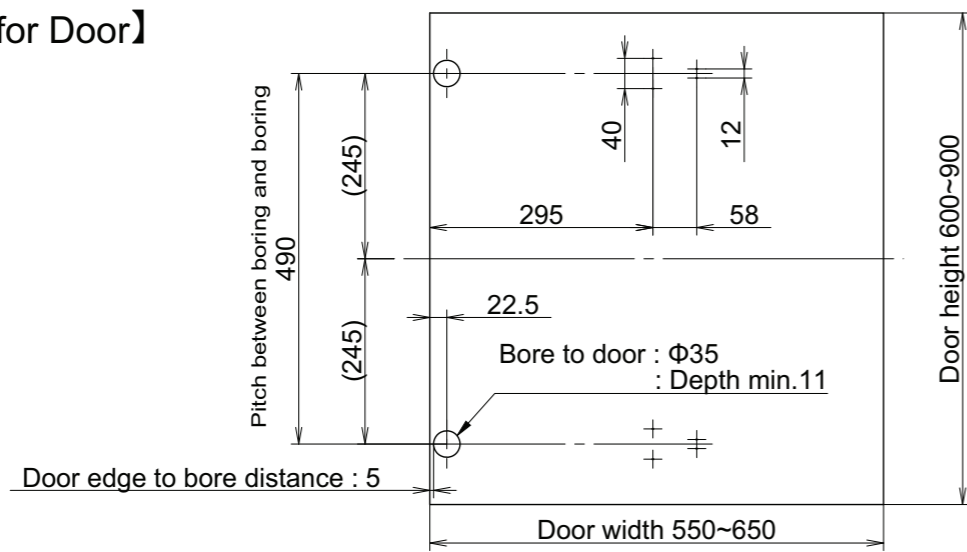
2019.08 0462-2



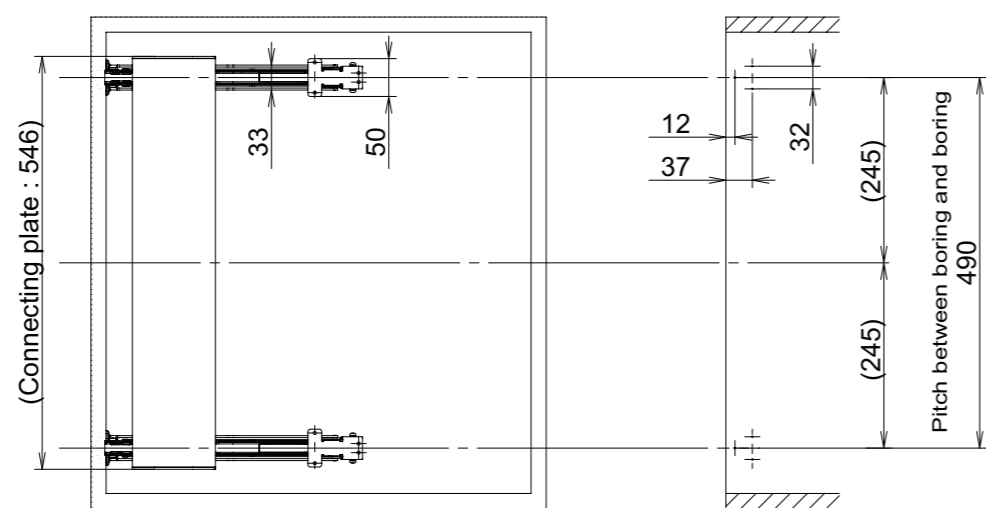
● Picture shows the left hand door use. (Right hand door use is symmetrical.) [unit:mm]



【Installation position for Door】

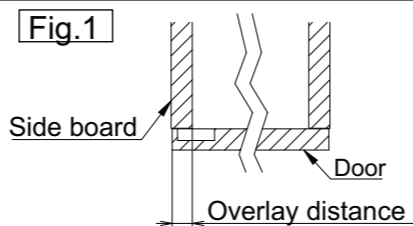


【Installation position of mounting plate for cabinet side board】



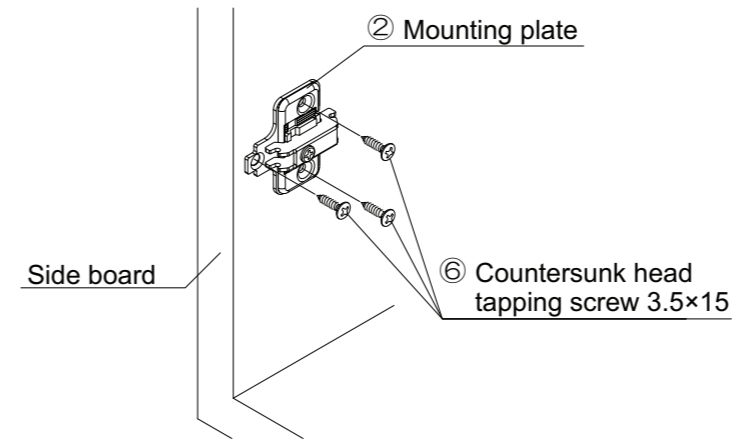
● Side overlay as shown in Fig.1 is:

- 19 mm for 230 Hinges mounting plate thickness : 0 mm (Standard)
- 14 mm for 230 Hinges mounting plate thickness : 5 mm

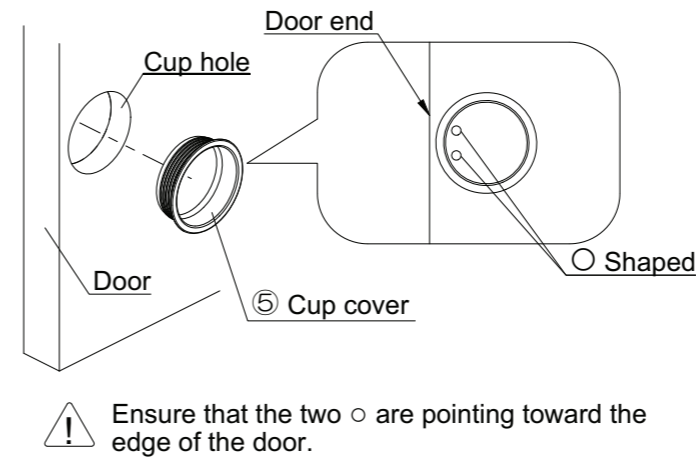


■ Installation

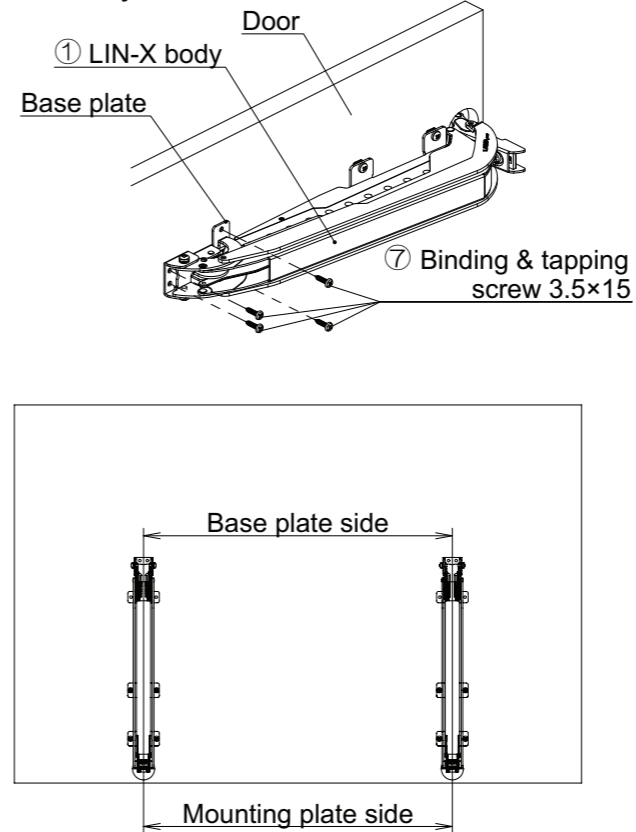
1 Mounting plate installation:



2 Cup cover installation:

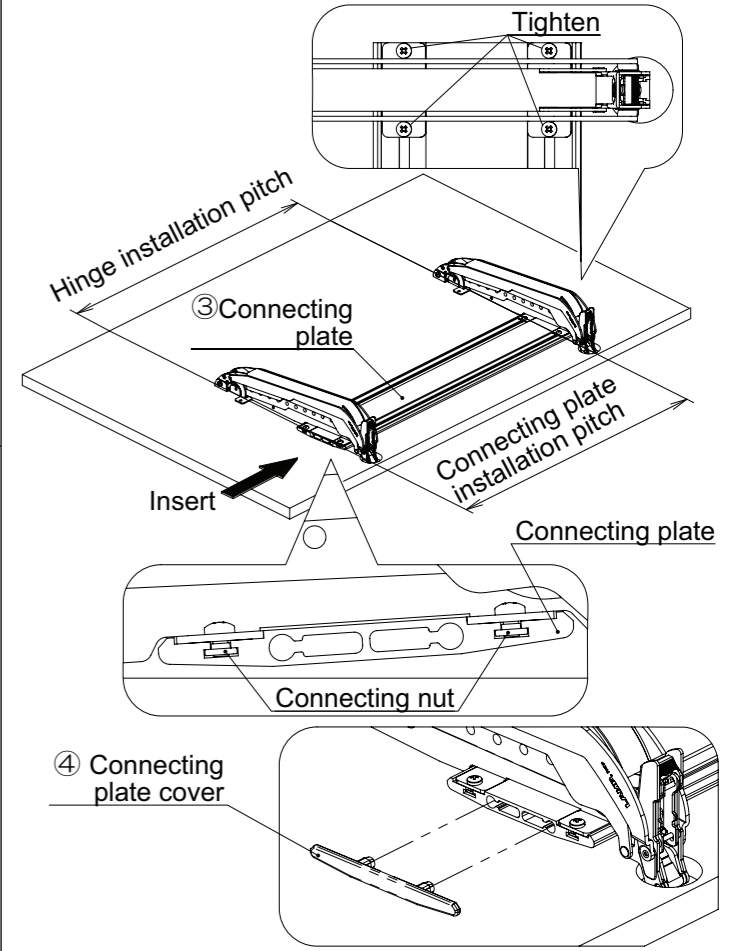


3 LIN-X body installation:

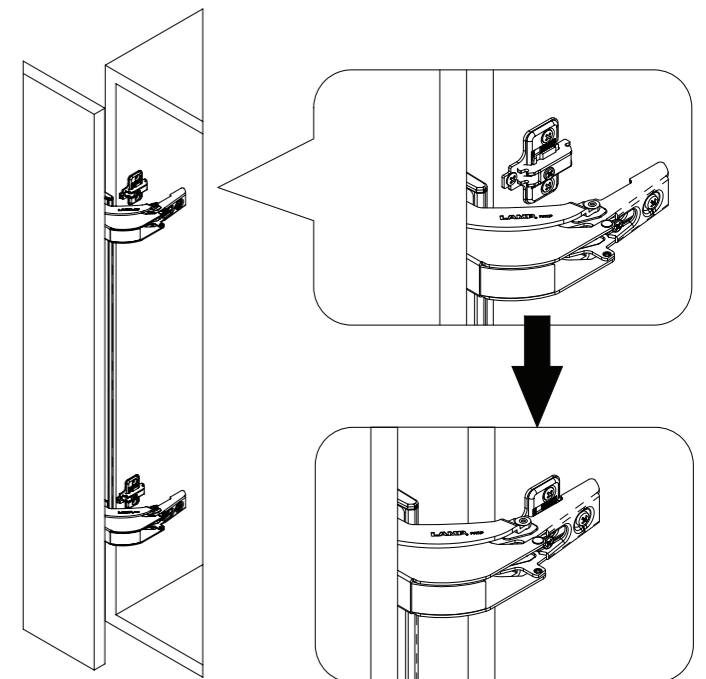


! Ensure that the two LIN-X bodies are parallel by measuring both the base and mounting plate distances.

4 Connecting plate installation:



5 Door installation:



! Ensure that the LIN-X body is securely attached to the mounting plates.