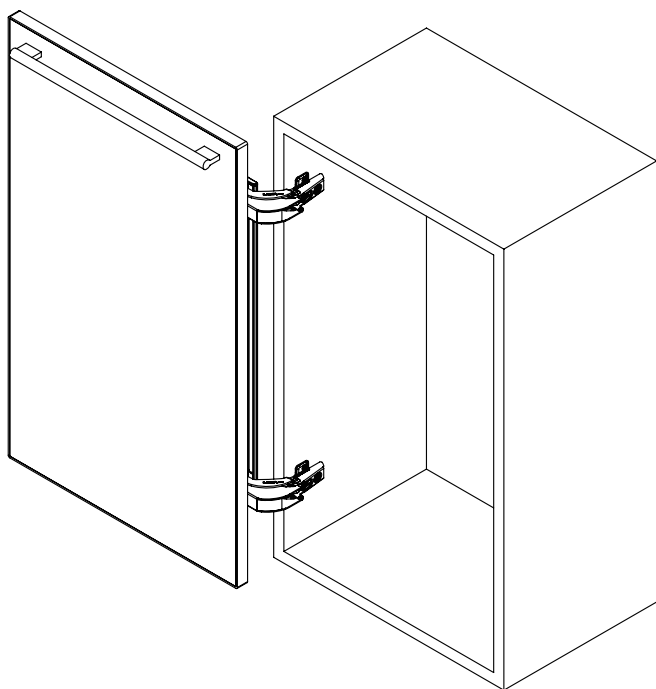


MonoFlat LIN-X hinge®

LAMP®

MonoFlat LIN-X 450 Standard kit Instruction Manual

Thank you for purchasing this MonoFlat LIN-X hinge by SUGATSUNE. Before proceeding with the installation, please read this instruction manual carefully for the best possible result and ensure your safety.



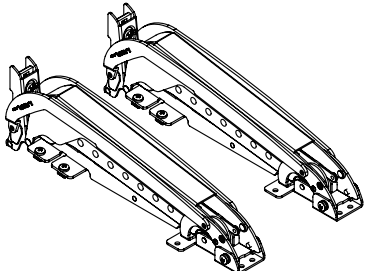
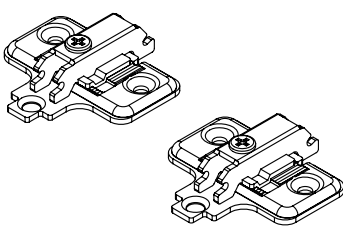
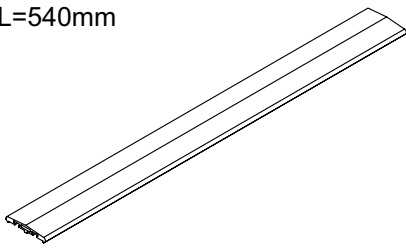
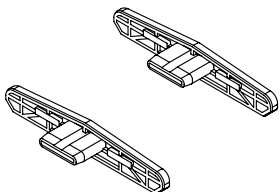
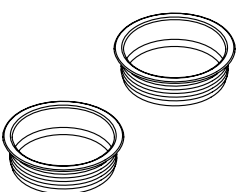
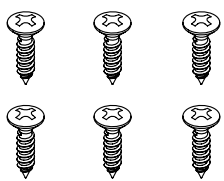
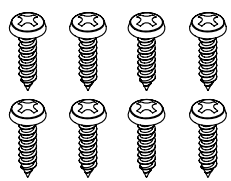
! WARNING

- Failure to observe the following precautions may result in injury and/or lead to damage to surrounding cabinets or fittings.
- Choose suitable screws to ensure of proper installation of the cabinet and door.
- Ensure that door size, weight and material correspond to the specifications stated in this manual.
- Do not disassemble or modify the system.

■ Product Specification

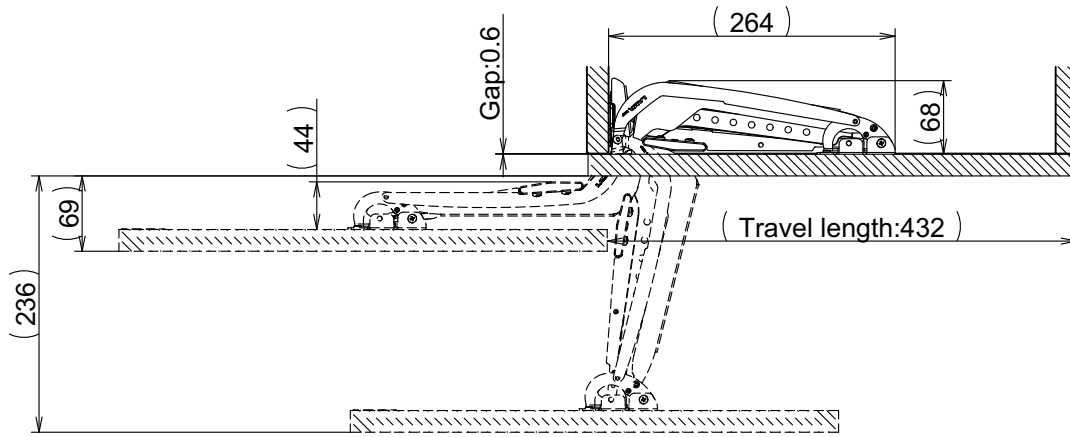
Door width	400 - 500 mm
Door height	600 - 900 mm
Door thickness	15 - 24 mm
Door weight	Max 7 kg (per door)

■ Parts List

① LIN-X Body 2 pcs.		② Mounting Plate 2 pcs.		③ Connecting plate 1 pc. L=540mm	
					
④ Connecting plate Cover 2 pcs.		⑤ Cup Cover 2 pcs.		⑥ Countersunk head tapping screw 3.5×15 6 pcs.	
					
				⑦ Binding & tapping screw 3.5×15 8 pcs.	
					

Overall (unit : mm)

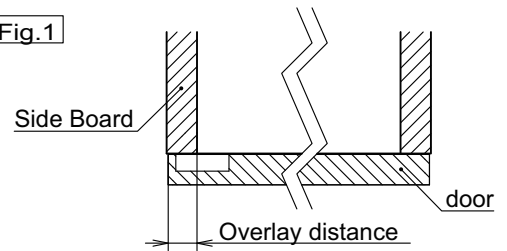
- Picture shows the left hand door use. (Right hand door use is symmetrical.)



Overlay distance

- Side overlay as shown in Fig.1 is:
 - 19 mm for mounting plate 230-P4W-32T
 - 14 mm for mounting plate 230-P4W-32T+5
- An opening clearance of 2 mm is required on both sides of the door.

Fig.1



Position of LIN-X Body

- Prepare the door as per Fig.2 and Fig.3

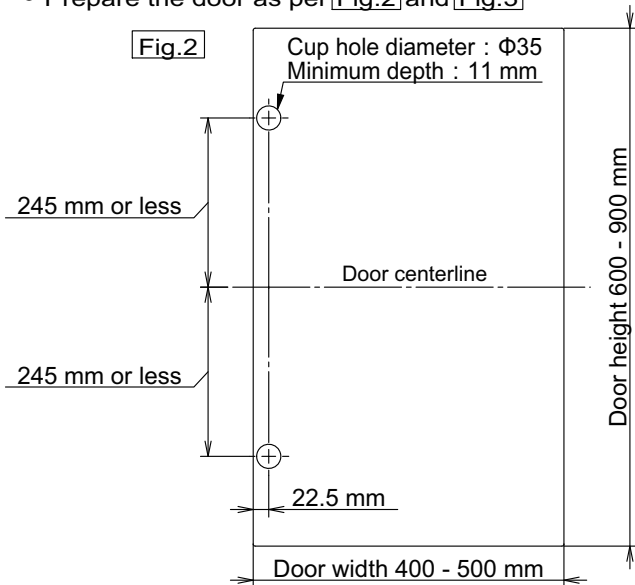
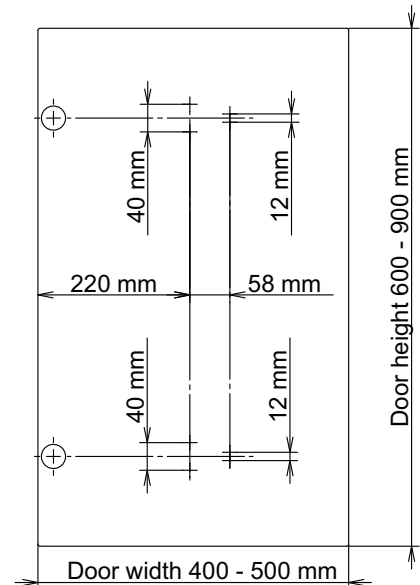


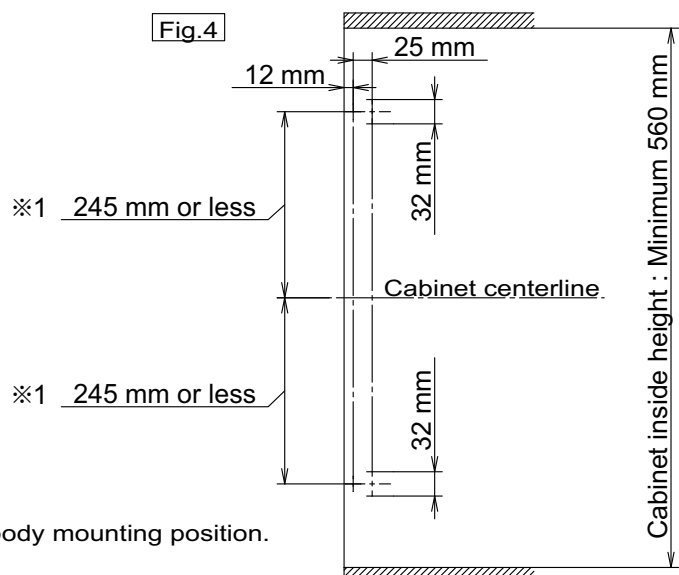
Fig.3



Mounting Plate Position

- Prepare the sideboard for mounting plate installation as Fig.4

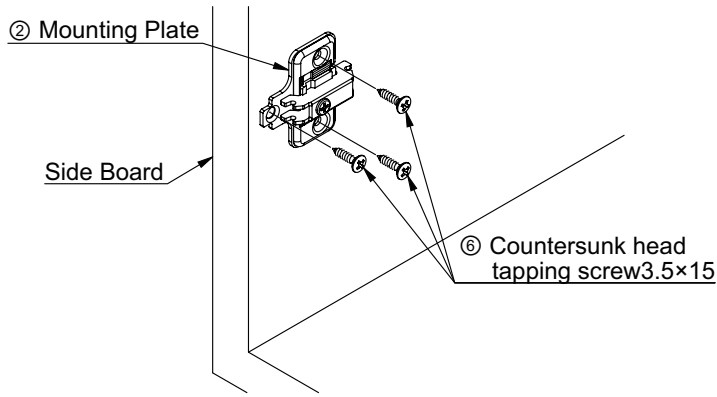
Fig.4



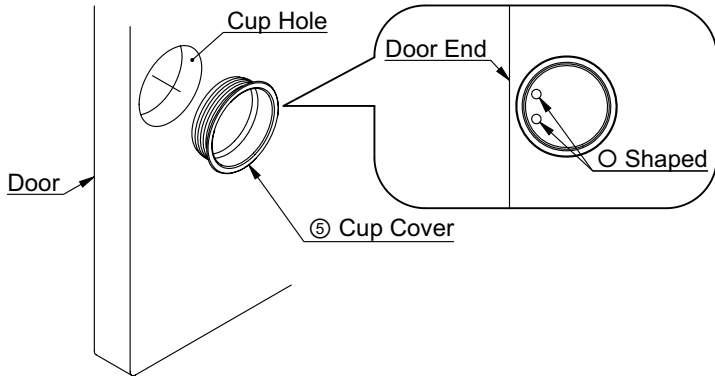
※1 Same dimensions as the LIN-X body mounting position.

■ Installation

1 Mounting plate installation:

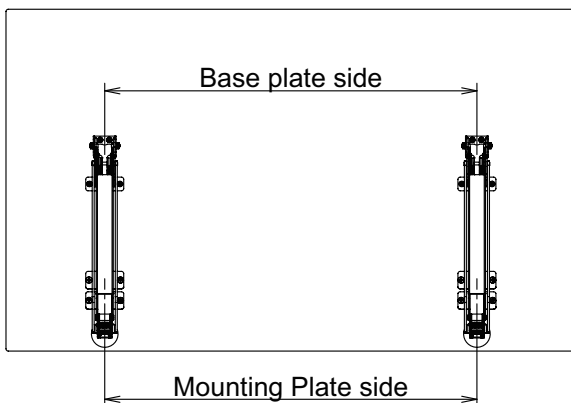
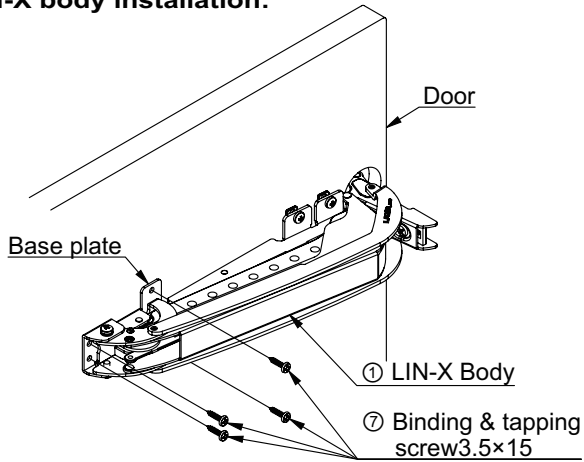


2 Cup Cover installation:



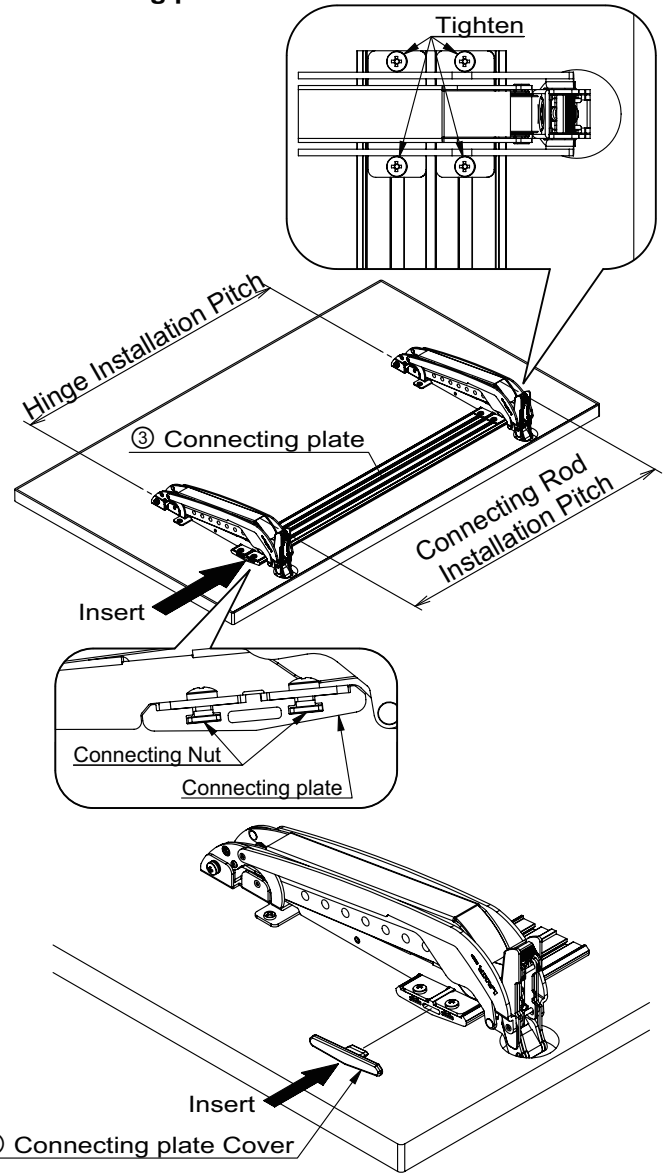
⚠ Ensure that the two O are pointing toward the edge of the door.

3 LIN-X body installation:

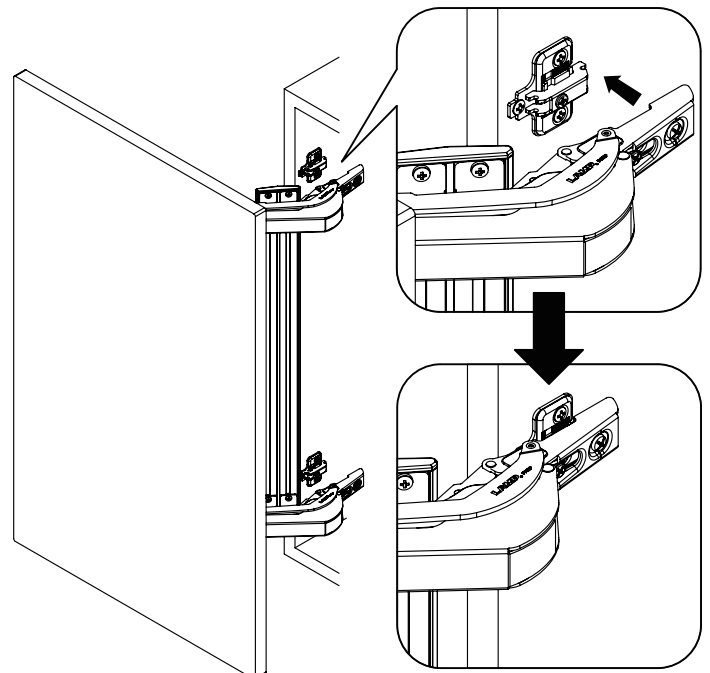


⚠ Ensure that the two LIN-X bodies are parallel by measuring both the base and mounting plate distances.

4 Connecting plate installation:

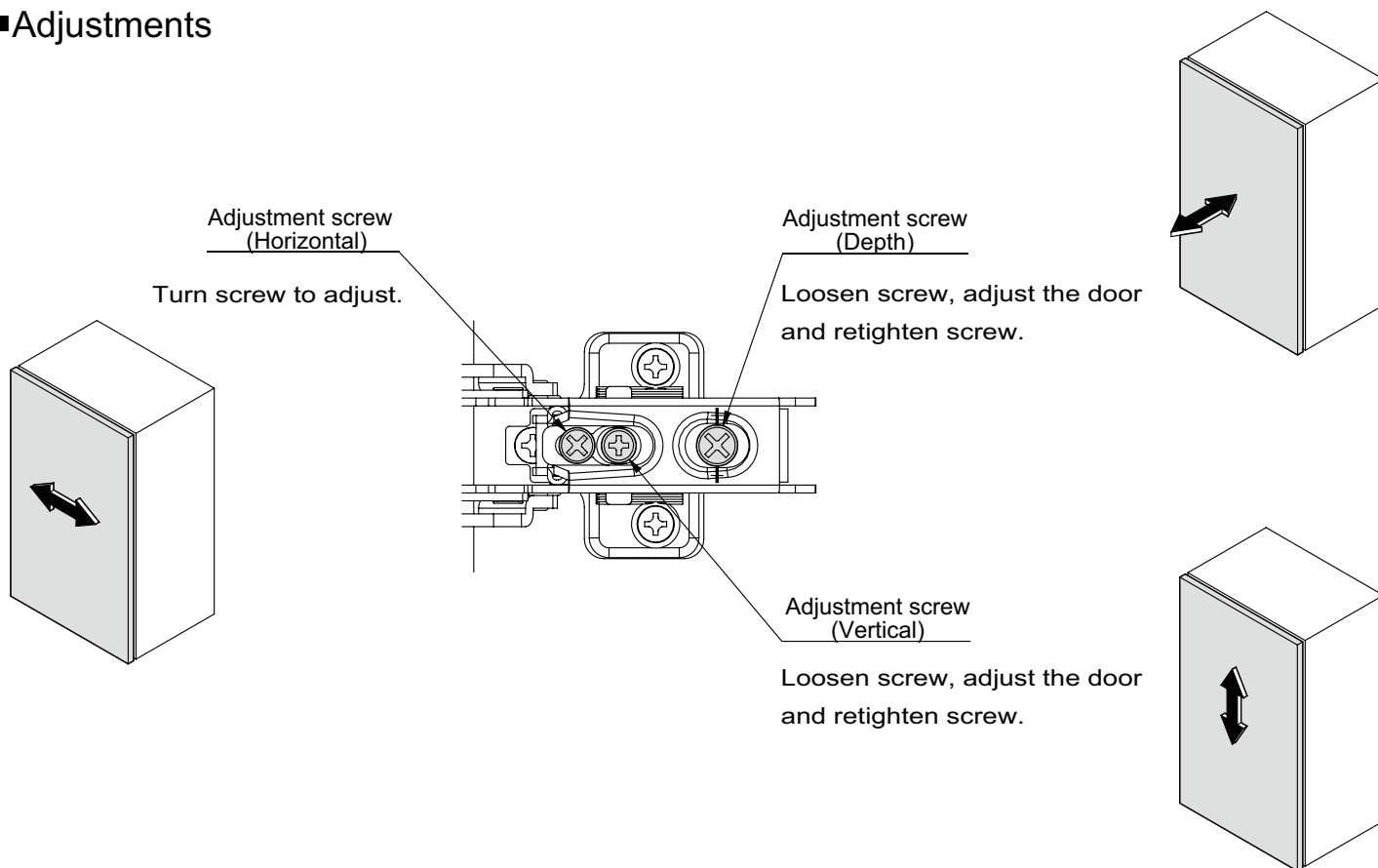


5 Door installation:



⚠ Ensure that the LIN-X body is securely attached to the mounting plates.

■Adjustments



Leveling Adjustment Screw

Front

Loosen both screws, adjust the door and retighten screws.

Leveling Adjustment Screw

Back

SUGATSUNE KOGYO CO.,LTD

Tokyo, JAPAN

Phone: +81 (0)3 3866 2260 E-mail:export@sugatsune.co.jp

SUGATSUNE KOGYO (UK) LTD

Reading, UK

Phone: +44 118 9272 955 E-mail:sales@sugatsune.co.uk

SUGATSUNE EUROPE GmbH

Düsseldorf, GERMANY

Phone: +49 211 53812900 E-mail:sales@sugatsune.eu

ISO9001(Japan Offices and Sugatsune America) and ISO14001(Chiba Production division and Logistics center),certified.

SUGATSUNE SHANGHAI Co., LTD

Shanghai, CHINA

Phone: +86 21 3632 1858 E-mail:lamp@sugatsune.com.cn

Guangzhou, CHINA

Phone: +86 20 6639 3552 E-mail:lamp@sugatsune.com.cn

SUGATSUNE KOGYO INDIA PRIVATE LIMITED

Mumbai, INDIA

Phone: +91 22 28314490/91 E-mail:sales@sugatsune.in

SUGATSUNE AMERICA, INC

California, USA

Phone: +1 310 329 6373 E-mail:sales@sugatsune.com

Chicago, USA

Phone: +1 630 317 7072 E-mail:sales@sugatsune.com

SUGATSUNE CANADA, INC.

Phone: +1 514 312 5267 E-mail:support@sugatsune.ca

2022.09 0445-4